

ECOWATER[®]
S Y S T E M S

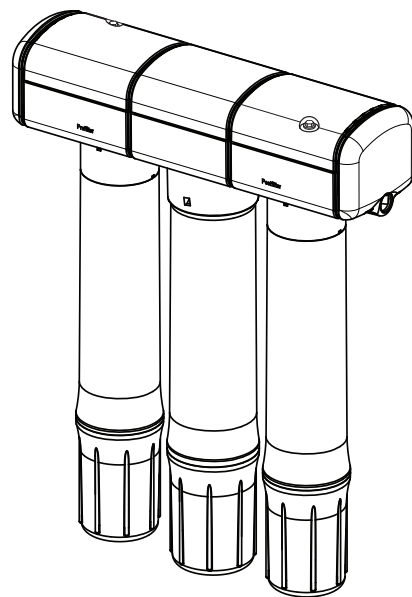


Your Water. Perfected.

Undersink
REVERSE OSMOSIS
DRINKING WATER SYSTEM

ERO-385 ERO-385E HERO-385Plus

- ◆ Safety Guides
 - ◆ Installation
 - ◆ Operation
 - ◆ Maintenance
 - ◆ Repair Parts



Systems tested and certified by NSF International against NSF/ANSI Standards 42 and 58 for the reduction of claims specified in the performance data on page 26. Systems tested and certified to CSA B483.1 and NSF/ANSI/CAN 372.



Systems certified by IAPMO R&T against NSF/ANSI Standards 42, 53, 58, 401 and P231 for the reduction of claims as specified in the performance data on pages 26-29.



Designed, Engineered &
Assembled in the U.S.A.

EcoWater Systems LLC
P.O. Box 64420
St. Paul, MN 55164
www.ecowater.com


7382568 (Rev. P 8/7/24)

TABLE OF CONTENTS

<p>Safety Guides 3</p> <p>Specifications 4</p> <p>What the Drinking Water System Will Do 5</p> <p>Components of the System 5</p> <p>Checks to Make Before Installing 5</p> <p>Installing 6-14</p> <p style="padding-left: 20px;">Feed Water Supply 6</p> <p style="padding-left: 20px;">Reject Water Drain Fitting 6</p> <p style="padding-left: 20px;">Installing Faucet 7</p> <p style="padding-left: 20px;">Installing RO Assembly & Storage Tank 8</p> <p style="padding-left: 20px;">Tubing Connections 9</p> <p style="padding-left: 20px;">Connect Water Supply, Storage Tank & Drain Tubing 10</p> <p style="padding-left: 20px;">Install Filter Cartridges / Sanitizing / Pressure Testing / Purging 11</p> <p style="padding-left: 20px;">Installing Hydrolink Plus® RO Module 12</p> <p style="padding-left: 20px;">Installing (or Replacing) Batteries 12</p>	<p>Connecting Hydrolink Plus® to Wi-Fi 13-14</p> <p style="padding-left: 20px;">Checking Batteries & Connection 13</p> <p style="padding-left: 20px;">Connect Mode 13</p> <p style="padding-left: 20px;">Connect to Wi-Fi Using the App 13-14</p> <p style="padding-left: 20px;">Register Device / Setup Alerts 14</p> <p style="padding-left: 20px;">Wi-Fi Data / Alerts 15</p> <p style="padding-left: 20px;">Position Hydrolink Plus® Under the RO Cover... 15</p> <p>How the RO System Works 16</p> <p>Replacing the Filters & RO Membrane 17</p> <p>Care of Your Reverse Osmosis System 17-20</p> <p>Troubleshooting 20</p> <p>System Schematic 21</p> <p>Installation of Optional Fittings 22</p> <p>Remote Location Installation 23</p> <p>Repair Parts 24-25</p> <p>Performance Data 26-29</p> <p>Warranty Information 30</p>
---	---

COIN BATTERY INFORMATION

- Battery type: CR2032. Nominal voltage: 3.0 V.
- Ensure the battery is installed correctly according to polarity (+ and -).
- Non-rechargeable batteries are not to be recharged.
- Remove and immediately recycle or dispose of used batteries according to local regulations and keep away from children. Do NOT dispose of batteries in household trash or incinerate.
- Even used batteries may cause severe injury or death.
- Call a local poison control center for treatment information.
- Do not force discharge, recharge, disassemble, heat above 140°F (60°C) or incinerate. Doing so may result in injury due to venting, leakage or explosion resulting in chemical burns.
- In products using more than one battery, do not mix old and new batteries, different brands or types of batteries, such as alkaline, carbon-zinc, or rechargeable batteries.
- Remove and immediately recycle or dispose of batteries from equipment not used for an extended period of time according to local regulations.
- Always completely secure the battery compartment. If the battery compartment does not close securely, stop using the product, remove the battery, and keep it away from children.

⚠ WARNING	
<ul style="list-style-type: none"> • INGESTION HAZARD: This product contains a button cell or coin battery. • DEATH or serious injury can occur if ingested. • A swallowed button cell or coin battery can cause Internal Chemical Burns in as little as 2 hours. • KEEP new and used batteries OUT OF REACH OF CHILDREN. • Seek immediate medical attention if a battery is suspected to be swallowed or inserted inside any part of the body. 	

- This system has a lithium battery containing perchlorate. Per California Regulation: Perchlorate Material – Special handling may apply. See www.dtsc.ca.gov/hazardouswaste/perchlorate.

SAFETY GUIDES

◆ Read all steps, guides and rules carefully before installing and using the Drinking Water System. Follow all steps exactly to correctly install.

◆ **BE SURE TO FOLLOW APPLICABLE STATE AND LOCAL PLUMBING AND SANITATION CODES** when installing the Drinking Water System. Massachusetts plumbing code 248 CMR shall be adhered to. Please consult your licensed plumber. Using a qualified installer is recommended.

◆ The Drinking Water System works on water pressures of 40 psi minimum, to 100 psi maximum (see the table on Page 4). If house water pressure is over the maximum, install a pressure reducing valve in the water supply line to the Drinking Water System.

◆ This system is acceptable for treatment of influent concentrations of no more than 27 mg/L nitrate and 3 mg/L nitrite measured as N and is certified for nitrate/nitrite reduction only for water supplies with a pressure of 280 kPa (40 psig) or greater. This system is supplied with a nitrate/nitrite test kit. Product water should be monitored periodically according to the instructions provided with the test kit.

◆ **DO NOT** install the Drinking Water System outside, or in extreme hot or cold temperatures. Temperature of the water supply to the Drinking Water System must be between 40°F (minimum) and 100°F (maximum), see the table on Page 4. **DO NOT INSTALL ON HOT WATER.**

◆ Read the other limits (pH, water hardness, etc.), Page 4, and be sure the water supply conforms.

◆ Do not use with water that is microbiologically unsafe or of unknown quality without adequate disinfection before or after the system. Systems certified for cyst reduction may be used on disinfected water that may contain filterable cysts.

◆ This system shall only be used for arsenic reduction on chlorinated water supplies containing detectable residual free chlorine at the system inlet. Water systems using an inline chlorinator should provide a one minute chlorine contact time before the RO system. Conforms to NSF/ANSI 58 for pentavalent arsenic reduction. See performance data sheet and Arsenic Facts section for an explanation of reduction performance.

◆ **NOTE:** This equipment has been tested and found to comply with the limits for a Class B digital device, pursuant to Part 15 of the **FCC** Rules. These limits are designed to provide reasonable protection against harmful interference in a residential installation. This equipment generates, uses, and can radiate radio frequency energy and, if not installed and used in accordance with the instructions may cause harmful interference to radio communications. However, there is no guarantee that interference will not occur in a particular installation. If this equipment does cause harmful interference to radio or television reception, which can be determined by turning the equipment off and on, the user is encouraged to try to correct the interference by one or more of the following measures:

- Reorient or relocate the receiving antenna.
- Increase the separation between the equipment and receiver.
- Connect the equipment into an outlet on a circuit different from that to which the receiver is connected.
- Consult the dealer or an experienced radio/TV technician for help.

Changes or modifications not expressly approved by EcoWater Systems could void the user's authority to operate the equipment.

This device complies with **Industry Canada** Standard RSS-210. Operation is subject to the following two conditions: (1) this device may not cause interference, and (2) this device must accept any interference, including interference that may cause undesired operation of the device.

Ce dispositif est conforme avec la norme CNR-210

d'Industrie Canada. Le fonctionnement du dispositif est sujet aux deux conditions suivantes: (1) le dispositif ne doit pas causer de brouillage, et (2) le dispositif doit accepter tous brouillages, incluant tous brouillages qui peut nuire au bon fonctionnement du dispositif.



European Directive 2002/96/EC requires all electrical and electronic equipment to be disposed of according to Waste Electrical and Electronic Equipment (WEEE) requirements. This directive or similar laws are in place nationally and can vary from region to region. Please refer to your state and local laws for proper disposal of the equipment.

SPECIFICATIONS

Feed water pressure limits - pounds per square inch (psi)	40 - 100
Feed water temperature limits - minimum / maximum degrees F	40 - 100
Maximum total dissolved solids (TDS) - parts per million (ppm)	2,000
Maximum water hardness @ 6.9 pH - grains per gallon (gpg)	10
Maximum iron, manganese, hydrogen sulfide	0
Chlorine in water supply	allowable ♦
Feed water pH limits (pH)	4 - 10
Product (quality) water, 24 hours - gallons ● (closed system)	15.75
Percent rejection of TDS, minimum (new membrane) ●	94.8
Automatic shutoff control	yes
Efficiency ■	26.2 %
Recovery □	41.8 %

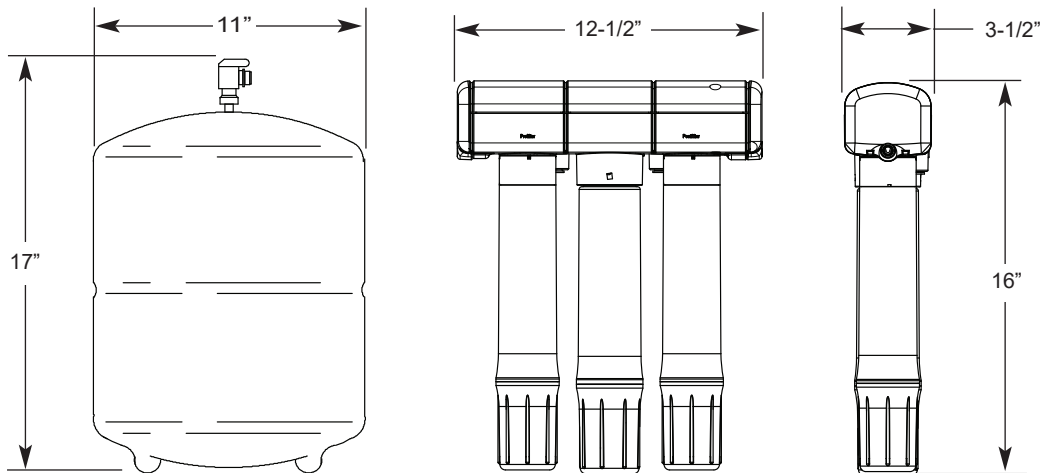
♦ Chlorine reduction (max. of 2.0 ppm) by the RO Prefilter. **REGULAR MAINTENANCE REQUIRED.** Chlorine will destroy the RO membrane, See page 4.

● Feed water supply at 50 psi, 77°F, and 750 TDS - Quality water production and percent rejection all vary with changes in pressure, temperature and total dissolved solids.

■ Efficiency rating means the percentage of the influent water to the system that is available to the user as reverse osmosis treated water under operating conditions that approximate typical daily use.

□ Recovery rating means the percentage of the influent water to the membrane portion of the system that is available to the user as reverse osmosis treated water when the system is operated without a storage tank or when the storage tank is bypassed.

This system conforms to NSF/ANSI 58 for the specific performance claims as verified and substantiated by test data.



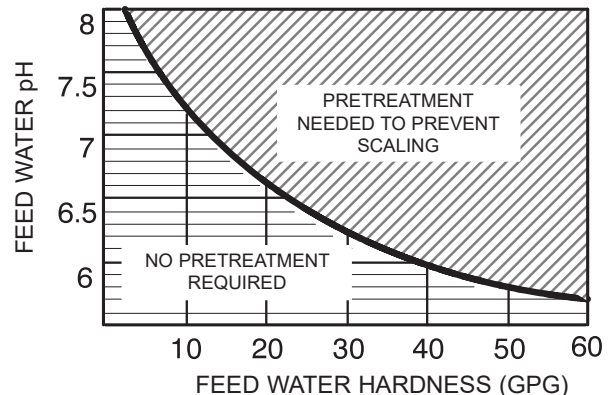
PRETREATMENT OF THE WATER SUPPLY NEEDED TO PREVENT SCALING

TO USE THE CHART...

...Locate the intersecting point of feed **water hardness** and **pH**.

If this point falls within the shaded area, pretreatment* is needed.

*Softening of the water is the suggested pretreatment.



WHAT THE DRINKING WATER SYSTEM WILL DO

The drinking water system is a REVERSE OSMOSIS (RO) water treating unit. Reverse osmosis is a way of reducing dissolved solids and organic matter from water by passing it through a special membrane. The membrane separates minerals and impurities from the water, and they are flushed to the drain. Good tasting, high quality product water goes directly to the drinking water faucet, or to the storage area. The system makes a good supply of drinking water each day (see specifications). How much it will make depends on the feed water supply pressure, temperature, and quality.

Pre and postfilters are replaceable cartridges. The carbon prefilter reduces some chlorine (see specifications) while also filtering sediments. The postfilter reduces any other undesirable tastes and odors before you use the water.

The RO system also includes a standard faucet assembly to vend the drinking water, and a storage tank.

NOTE: A performance data sheet is included listing what the system will reduce from the water supply. See performance data sheet for individual contaminants and reduction performance.

The drinking water system fits under the kitchen or bathroom sink. However, you can install it where most convenient. You do need a COLD water supply pipe and drain point within a few feet (6' tubing lengths included). You can buy longer lengths of tubing if needed to reach more distant points. Be sure tubing is acceptable for use on potable water supplies.

COMPONENTS OF THE SYSTEM

The RO system consists of:

- (1) RO Assembly.
- (2) Color coded tubing.
- (3) Storage Tank.
- (4) Parts bag containing storage tank shutoff valve, high recovery flow control insert, standard flow control insert, mounting washers and screws.
- (5) Hydrolink Plus® RO Module, with batteries and cable, in its own box (Model HERO-385Plus only).
- (6) Faucet, packaged separately.

INSTALLER PROVIDES: (1) fittings to tap the cold water pipe for a feed water source to the RO . . . must adapt to 1/4" tubing; and (2) a drain point for RO discharge water . . . must adapt to 3/8" OD tubing. Both items must comply with state and /or local codes. Optional fittings are available from EcoWater for use in areas where codes permit.

THINGS TO CHECK BEFORE YOU START TO INSTALL:

★ **FEED WATER** - The water supply to the Drinking Water System must have the qualities listed in the specifications. If not, it will not make product water as it should and life of the RO membrane is shortened. City water most often will have these qualities. Well water may need conditioning. Have the water tested by a water analysis laboratory, and get their recommendations for treatment. Check and comply with local plumbing codes when providing a water supply to the RO. Refer to Pages 22 and 25.

NOTE: Codes in the state of Massachusetts require installation by a licensed plumber, and do not permit the use of the drain clamp. For installation, use plumbing code 248-CMR of the Commonwealth of Massachusetts.

CAUTIONS:

Feed water must have chlorine reduced (prefilters reduce up to amount shown in specifications, Page 4). Chlorine will destroy the RO membrane cartridge. Be sure to service the prefilters, Page 17.

★ **DRAIN POINT** - A suitable drain point (check your local plumbing codes) is needed for reject water from the RO membrane cartridge. Running the RO drain tubing directly to a floor drain, laundry tub, sump, standpipe, etc., is preferred. If that is not possible or practical, using the sink p-trap drain pipe is suggested. A drain clamp (drilling required), or a special drain adapter are available from EcoWater to use where codes permit. Refer to Pages 22 and 25. These options install on the sink drain pipe tailpiece, above the p-trap.

★ **RO FAUCET** - The RO product water faucet installs on the sink, or on the countertop next to the sink. Often, it's installed in an existing sink spray attachment hole. Space is required underneath for tubing to and from the faucet, and for securing it in place. Refer to Pages 7 and 10.

★ **MOUNTING SURFACE** - The RO assembly mounts on a wall surface under the sink, or you can lay it on the bottom of the cabinet. Special washers and screws are included for wall mounting. When the storage tank is full of water, it weighs about 30 pounds. Be sure to set on a surface that will support this weight.

INSTALLATION - FEED WATER SUPPLY

Check and comply with local plumbing codes as you plan, then install a cold feed (supply) water fitting. The fitting must provide a leak tight connection to the RO 1/4" OD tubing, see Figure 6, Page 10. A typical installation, using standard plumbing fittings is shown in Figure 1. A saddle valve (not available from EcoWater) may be used where codes permit. Installation instructions are on Page 22.

NOTE: Codes in the state of Massachusetts require installation by a licensed plumber, and do not permit the use of the drain clamp. For installation, use plumbing code 248-CMR of the Commonwealth of Massachusetts.

PIPE FITTINGS (compression shown)

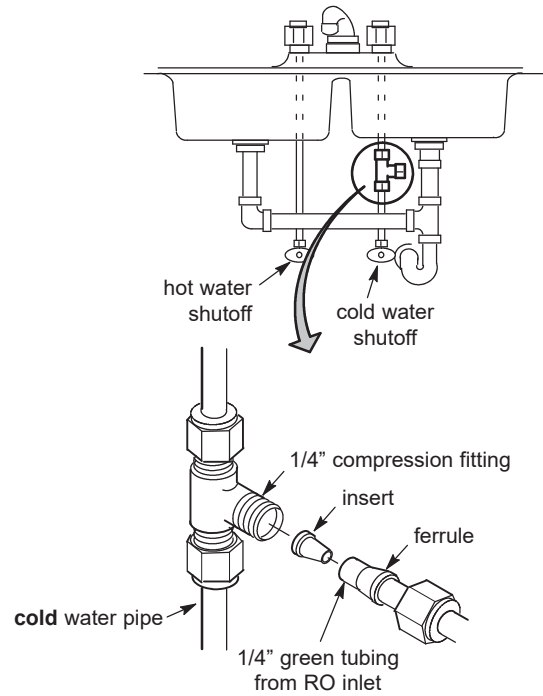
IMPORTANT: Before starting, close the hot and cold water shutoff valves (See Figure 1). Use a pan to catch water when disassembling the pipe.

Complying with plumbing codes, install a fitting on the kitchen cold water pipe to adapt 1/4" OD tubing. A typical connection is shown in Figure 1. You can use solder or threaded fittings. If threaded fittings are used, be sure to use pipe joint compound or Teflon tape on outside threads.

Do not connect the tubing to the fitting until Step 2, top of Page 10.

FIGURE 1

WATER SUPPLY TYPICAL CONNECTION
(using compression fitting)



REJECT WATER DRAIN FITTING

Running the RO drain tubing directly to a floor drain, laundry tub, sump, standpipe, etc., is preferred. If that is not possible or practical, check and comply with local plumbing codes as you plan, then install a drain fitting for RO reject water. This fitting is usually installed at the sink p-trap (always above). It must provide a leak-tight connection to 3/8" OD tubing from the RO product water faucet airgap, see Figure 6, Page 10. Typical drain fitting installations are listed below. Other options are shown on Page 25.

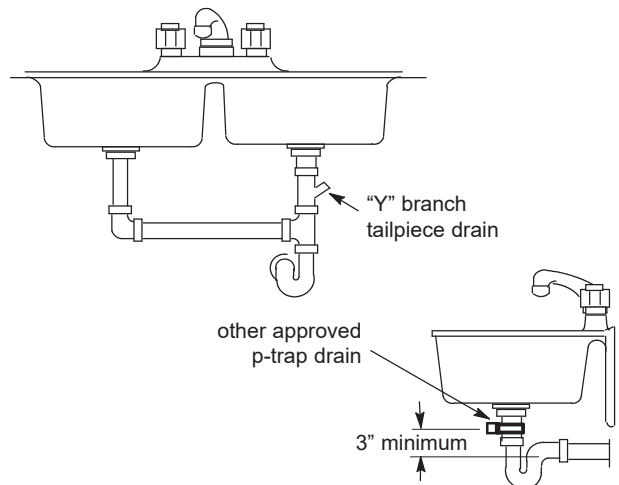
"Y" BRANCH TAIL PIECE, OR OTHER APPROVED P-TRAP DRAIN

Reject water from the RO is routed to the RO faucet air-gap (1/4" tubing), then to the drain point with 3/8" OD tubing. COMPLYING WITH PLUMBING CODES, install a fitting to accept the 3/8" tubing. Figure 2 shows typical p-trap and "Y" branch tail piece type drains.

Do not connect drain tubing until Step 1, top of Page 10.

FIGURE 2

DRAIN TYPICAL CONNECTION
(check local codes)



INSTALL THE FAUCET

Select one of the following places to install the faucet. Be sure there's room underneath so you can make the needed connections.

- ◆ In an existing sink spray attachment hole.
- ◆ Drill a hole in the sink top.
- ◆ Drill a hole in the countertop, next to the sink.

NOTE: Looking at Figure 3, be sure the faucet base will fit flat against the surface at the selected location so the o-ring will seal.

1. Do not connect drain tubing until Step 1, top of Page 10.

2. For Model ERO-385, slide the chrome washer onto the faucet stud, Figure 3.

3. For Model ERO-385E or HERO-385Plus, snap the o-ring in the groove on the bottom of the ring and slide the monitor ring onto the faucet stud. The monitor ring LED wire must be routed through the sink or countertop hole and through the spacer, if used, Figure 3.

NOTE: If you will route the RO drain tubing directly to the drain point, disregard Steps 4 and 6 and do Step 1 on top of Page 10.

4. Take the 30" length of 3/8" black tubing and push one end onto the 3/8" faucet barb fitting, Figure 4.

5. Move the RO system into position, under the sink. (Referring to Page 8, hang the system on cabinet wall, or lay on the floor surface, as desired.)

6. Route the 1/4" red tubing from the bottom, up through the faucet mounting hole. Push the end of the tubing onto the 1/4" barb fitting.

7. Work tubing and the faucet stud down, into the mounting hole.

8. On the underside of the sink or countertop, install the spacer (Model ERO-385E or HERO-385Plus only), plastic bushing, flat washer, and hex nut. Slide the large steel washer in place, between the bushing (or spacer) and the bottom of the sink or countertop. Then, tighten the hex nut securely. Make sure that the LED wire is in a position so that it will not be cut, pinched or kinked before tightening the faucet assembly.

9. Thread the tubing connector onto the bottom of the faucet stud.

10. Push the end of the 3/8" blue tubing from the RO, into the tubing connector installed in Step 9.

NOTE: See tubing connection procedures on Page 9. For ease of service and maintenance, keep tubing lengths long enough so removal of the RO system from under the sink is possible.

FIGURE 3 - FAUCET INSTALLATION

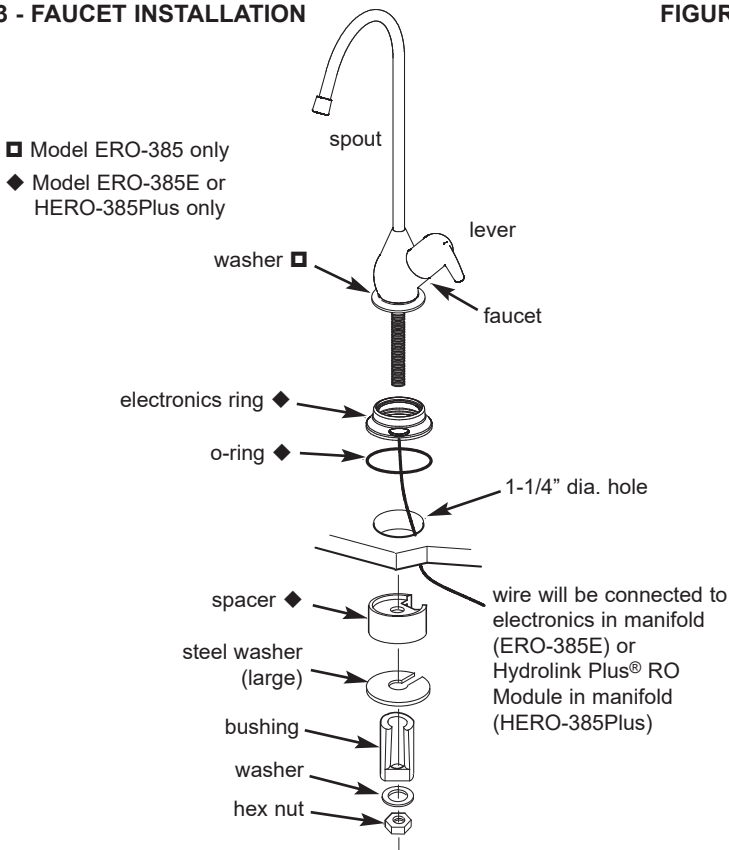
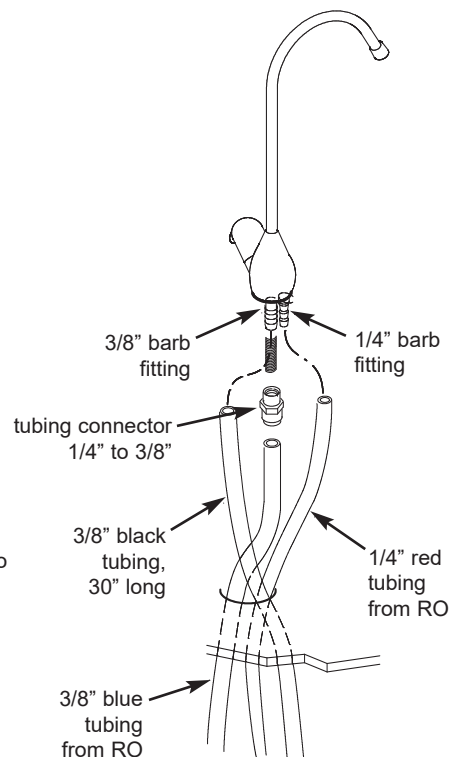


FIGURE 4 - TUBING CONNECTIONS



INSTALL RO ASSEMBLY AND STORAGE TANK

1. Hold the RO assembly up to the wall surface where you will install it. Mark locations for the hanger washers and screws.

2. Fasten the hanger washers to the wall surface. Wood screws are included for fastening to a wood surface. Provide other screws for other surfaces as needed.

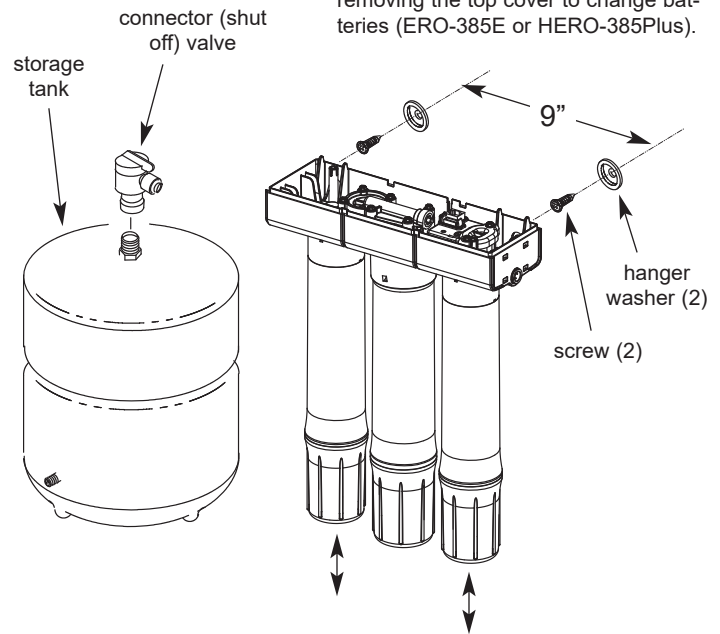
3. Hang the RO assembly on the hanger washers.

4. Move the storage tank into place, setting on the floor surface. Use the stand, included with the tank, and position the tank upright, or on its side.

5. Apply teflon tape on the tank nipple threads and install the shutoff valve.

6. Model ERO-385E only: Connect telephone style wire from the monitored faucet to the receptacle on the electronics board, located on the top of the RO unit. Route the wire through the strain relief notch on the back of the manifold.

FIGURE 5



NOTE: Be sure to allow a minimum space of 4" above the system for removing the top cover to change batteries (ERO-385E or HERO-385Plus).

NOTE: Be sure to allow a minimum space of 1-1/2" under the system for removing the cartridges in order to change them.

TUBING CONNECTIONS

HOW TO CUT AND CONNECT THE TUBES

Your Reverse Osmosis Water System includes push-in fittings for quick tubing connection. Review the following instructions before connecting the tubes in the next step.

Cut tubes to length

1. Use a sharp cutter or knife to cut the end of tubing. Always cut the tubing square.

2. Inspect the end (about 1") of the tubing to be sure there are no nicks, scratches or other rough spots. If needed, cut the tubing again.

NOTE: Tubing lengths should allow for the removal of the assembly from the hanger washers for servicing. If tubing lengths are shortened for neater appearance, it may be necessary to keep the assembly on the hanger washers for service.

Connect tubes

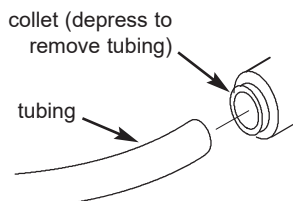
1. Push tubing through collet, until it engages the o-ring. Continue pushing until the tube bottoms out against the back of the fitting. A common mistake is to stop pushing when the tube engages the o-ring. This will lead to future leaks. When a 1/4" tube is fully engaged, 11/16" of the tube has entered the fitting. When a 3/8" tube is fully engaged, 3/4" of the tube has entered the fitting.

2. If using tubing other than tubing supplied with the system, be sure it is of high quality, exact size and roundness with a smooth surface.

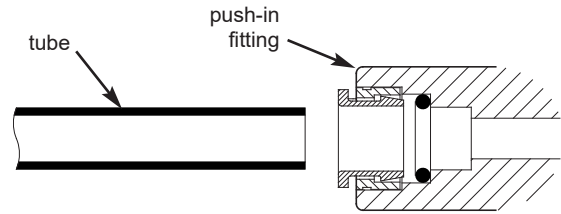
To Disconnect Tubes

1. Push the collet inward with a finger tip.
2. Continue holding collet inward while pulling the tubing out.

Disconnect Tubing

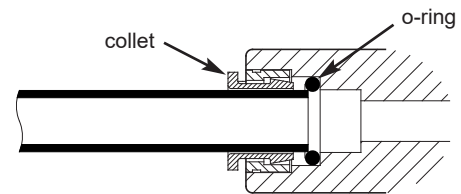


Tube Correctly Cut

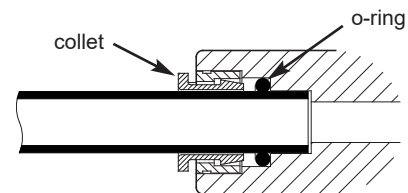


Cut tubing square with end of tubing round, smooth, with no cuts, nicks or flat spots.

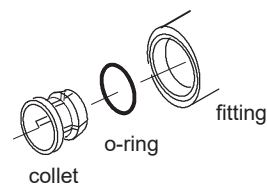
Tube Partially Engaged With Fitting



Tube Fully Engaged With Fitting



Collet and O-ring



CONNECT WATER SUPPLY, STORAGE TANK AND DRAIN TUBING

1. Install high recovery flow control in drain tube:

Before connecting the 1/4" red tubing to the RO system manifold's drain port, take the high recovery flow control insert from the parts bag and insert it into the end of the tube, as shown below.

Optional: If inlet water conditions do not permit the system to be operated in high recovery mode, you may instead install the standard recovery flow control insert in the red drain tube.

2. Connect 1/4" red tubing as shown below.

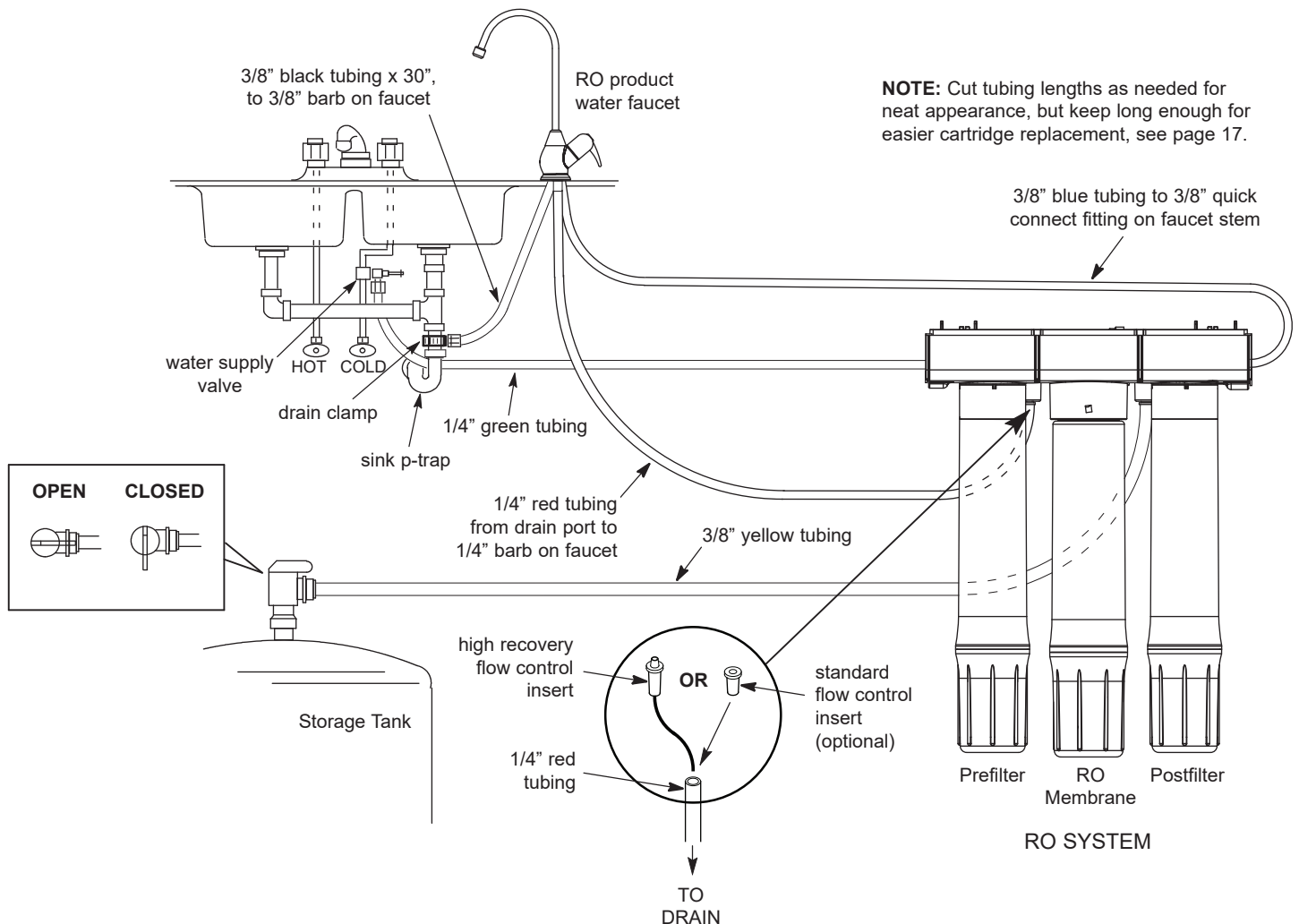
3. Connect faucet drain tubing (if using p-trap

drain): Route the 3/8" black tubing from the 3/8" faucet barb, to the drain fitting installed on page 6. Keep this tubing run as straight as possible, without loops, dips or low-spots. Cut the tubing as needed and fasten to the drain fitting, securing as required (pages 6 and 22).

Or, connect RO drain tubing (if using floor drain or other approved drain point): Route the 1/4" red tubing from the RO to the floor drain, sump, etc. Be sure to provide an air gap when securing in place.

4. Connect water supply tubing: Route the length of 1/4" green tubing from the RO inlet to the feed water supply fitting, installed on page 6. Connect the tubing as applies (Figures 1 and 6) and tighten the nut securely.

FIGURE 6 - TYPICAL INSTALLATION



INSTALL THE FILTER CARTRIDGES

1. Remove the plastic wrap from the prefilter, postfilter and RO membrane cartridges.
2. Install the cartridges onto the RO system head assembly, where shown in the figure above. Turn cartridges to the right to tighten.

SANITIZING THE RO SYSTEM

SANITIZE THE SYSTEM

Sanitizing is recommended immediately after installation of the Reverse Osmosis system. It's also recommended after servicing inner parts. It is important that the person installing or servicing the system have clean hands while handling inner parts of the system.

Complete the following steps to sanitize the system.

1. Turn off the water supply to the Reverse Osmosis system, or remove prefilter to automatically shut off water supply.
2. Open the Reverse Osmosis faucet. If the tank is not already empty, allow the water to empty.
3. Use an eyedropper or other suitable tool, and common household bleach (5.25%).

4. Add 3 mL. of bleach into open end of yellow tank tubing. Handle bleach according to bleach manufacturers recommendations.

5. Connect yellow tank tubing to tank connector. Run the length of 3/8" yellow tubing from the RO to the connector (shutoff) valve at the top of the storage tank (Figure 6).

6. Sanitizing the system will be completed during the pressure test and purging steps below.

NOTE: The bleach must be removed from the system before drinking the water. See purging instructions below.

PRESSURE TESTING

DO THE PRECEDING SANITIZING PROCEDURES BEFORE PRESSURE TESTING.

1. Open the water supply shutoff valve to the RO.
2. Open the main water supply valve and several house faucets to purge air from the system. Close faucets when water runs smooth.

3. Open the shutoff valve on the RO water storage tank.

4. In about two hours, pressure will start to build in the RO system. Then, carefully check all fittings and connections for water leaks. Correct leaks if any are found.

PURGING THE SYSTEM

To purge the system, complete the following steps.

1. Open the RO faucet and let water flow through the system for a 24 hour period.



NOTE: Water flow may be a slow trickle at this time.

2. Close the RO faucet after the 24 hour purging period is complete.

3. When the purging is finished, your Reverse Osmosis system is ready for use.

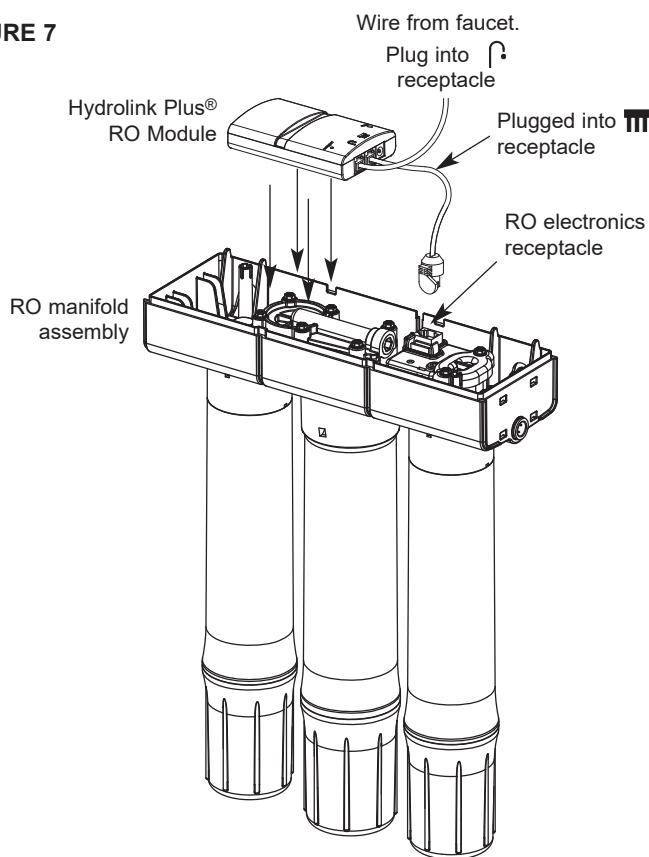
INSTALL THE HYDROLINK PLUS® RO MODULE (Model HERO-385Plus Only)

WIRING CONNECTIONS

1. Locate the cable packed with the Hydrolink Plus® RO Module. One end should be plugged into the telephone-style receptacle identified by the RO icon: 
2. Plug the other end into the RO electronics receptacle on the top the RO manifold assembly (See Figure 7).
3. Locate the wire from the monitored faucet and plug its connector into the Hydrolink Plus® RO Module receptacle identified by the faucet icon: 

NOTE: When **installing**, or **replacing**, batteries in the Hydrolink Plus® RO module, always make sure that the module's cable is already plugged into the RO manifold electronics receptacle (See Figure 7). If the Hydrolink Plus® module's batteries are installed or changed while this cable is unplugged, and then the cable is plugged into the RO electronics while the Hydrolink Plus® module is starting up (status light flashing), the RO manifold electronics can be permanently damaged.

FIGURE 7



INSTALLING (OR REPLACING) BATTERIES (Model HERO-385Plus Only)

NOTE: Lithium batteries (AAA size) are recommended for maximum battery life.

NOTE: Do not install AAA batteries in the Hydrolink Plus® RO Module if you will be using an external DC supply to power the module.

1. Remove the battery cover from the Hydrolink Plus® RO Module (See Figure 8).
2. Install three (3) AAA size batteries, making sure that they are oriented to match the markings inside the battery compartment.
3. Snap the battery cover back in place.
4. When the batteries are first installed at initial start up, the STATUS light on the Hydrolink Plus® RO Module will flash green once (the LED on the faucet base will also flash green once).

NOTE: Do not install a coin battery in the holder next to the LED (See Figure 9). The coin battery holder is for systems **not** equipped with a Hydrolink® or Hydrolink Plus® RO Module.

FIGURE 8

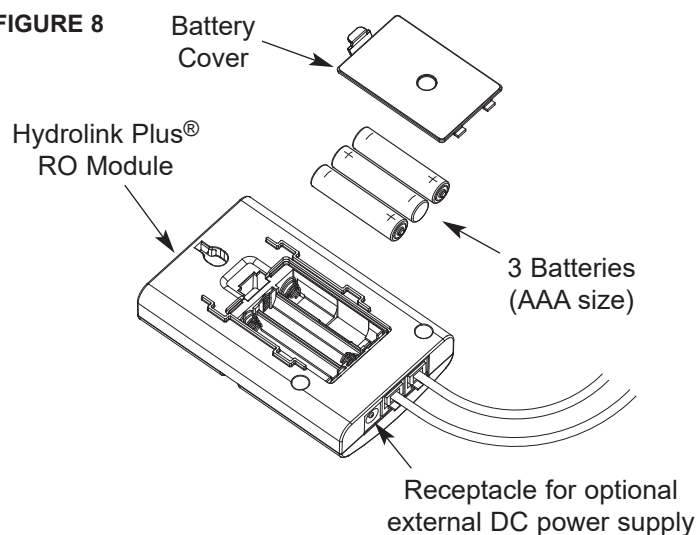
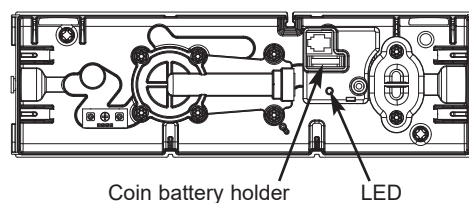


FIGURE 9



CONNECTING THE HYDROLINK PLUS® RO MODULE TO WI-FI (HERO-385Plus Only)

The **CONNECT** button on the Hydrolink Plus® RO module (see Figure 10) is used to:

- Check battery and connection status
- Place unit in Connect Mode ready to connect to Wi-Fi

CHECKING BATTERIES & CONNECTION

To check battery and connection status, press and release the **CONNECT** button (do not hold longer than 1 second). The status is then displayed for 3 seconds by the **STATUS** light (see Figure 10), as follows:

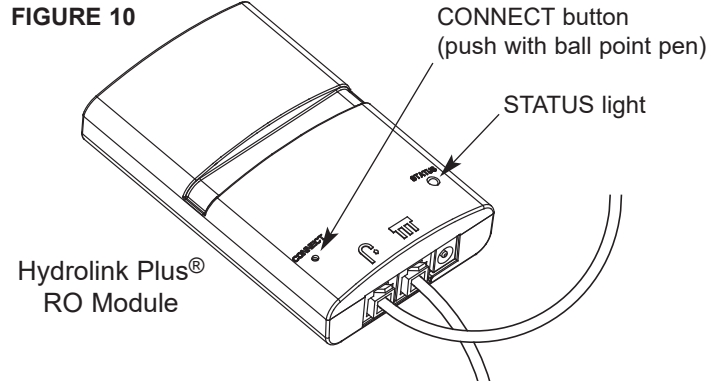
LED Indication	Status
Green for 3 sec.	Batteries are good. The system is connected to the cloud and registered.
Amber for 3 sec.	Batteries are good. The system is registered, but NOT currently connected to the cloud (the last attempt to share data failed).
Alternating Green/Amber	Batteries are good. The system is NOT registered.
Red (3 sec.)	Batteries are low.
No light	Batteries are dead.

CONNECT MODE

To place the Hydrolink Plus® RO module into Connect Mode, ready to connect to Wi-Fi, press and hold for 3 seconds the **CONNECT** button. If battery strength is sufficient to place the unit into Connect Mode, the **STATUS** light begins flashing amber, 1 second on and 1 second off. The unit will remain in Connect Mode for 2 minutes, waiting for you to connect it to the cloud via the home's wireless router. When a connection has been made, the **STATUS** light turns amber, and it will then turn green after the system has been registered:

LED Indication	Status
Red (3 sec.)	Batteries are too low to place unit into Connect Mode.
Flashing Amber (up to 2 minutes)	System is in Connect Mode, waiting to be connected to the cloud via the home's wireless router.
Amber after Connect Mode (up to 1 min.)	System successfully connected to the cloud, but is not yet registered.
Green for 1 min. after Connect Mode	System has been successfully connected and registered.
No light after 2 min. in Connect Mode	System not connected to the cloud or registered.

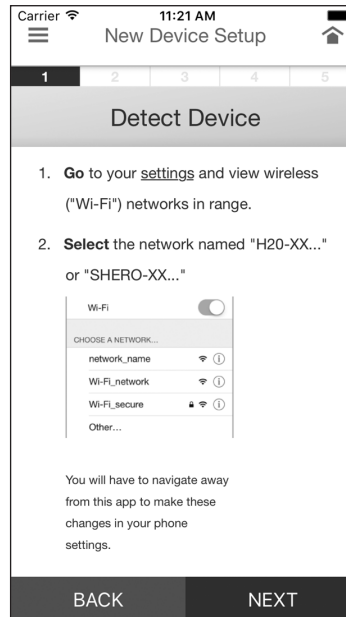
While the unit is in Connect Mode (LED flashing amber), pressing the **CONNECT** button again will not cancel Connect Mode. Also, you will not be able to use the **CONNECT** button during the 1 minute the LED is green following a successful connection and registration.



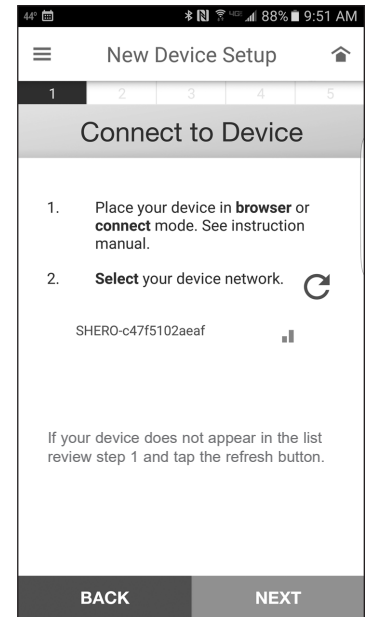
CONNECTING TO WI-FI USING THE APP

1. DETECT DEVICE / CONNECT TO DEVICE

Make sure that you have downloaded the most recent version of the app from your app store: **“EcoWater Systems Wi-Fi Smart Device Manager”** (iOS) or **“EcoWater Systems Wi-Fi Manager”** (Android). Open the app. Place the Hydrolink Plus® RO module into Connect Mode (see previous section). Within 2 minutes, select **“Add a System”** under **“My Devices”**.



iOS



Android

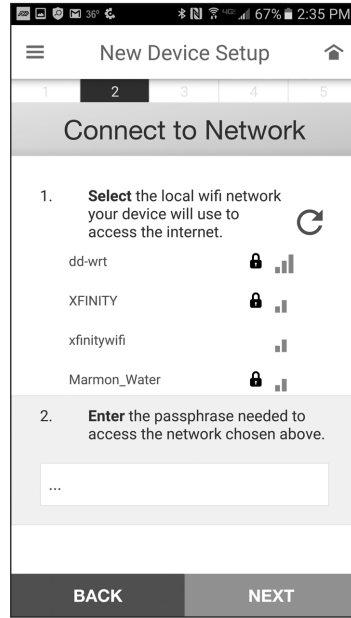
iOS: Go to your “Settings” and display the wireless (Wi-Fi) networks in range. Locate the line beginning with “SHERO” in the list of networks detected. If you do not see “SHERO”, make sure that the Hydrolink Plus® RO Module is in Connect Mode. Select the “SHERO” line and click “NEXT”.

Android: Locate the line beginning with “SHERO” in the list of Wi-Fi devices detected. If you do not see “SHERO”, make sure that the Hydrolink Plus® RO Module is in Connect Mode. Select the “SHERO” line and click “NEXT”.

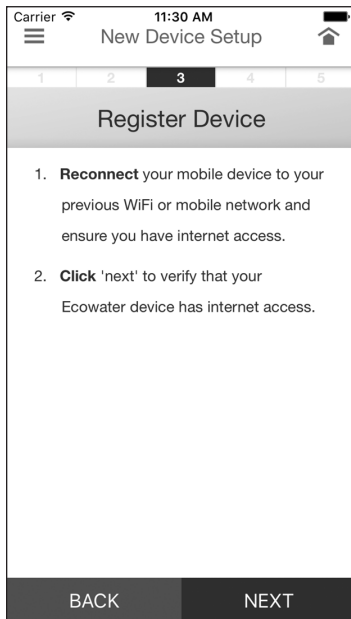
CONNECTING THE HYDROLINK PLUS® RO MODULE TO WI-FI (HERO-385Plus Only)

2. CONNECT TO NETWORK

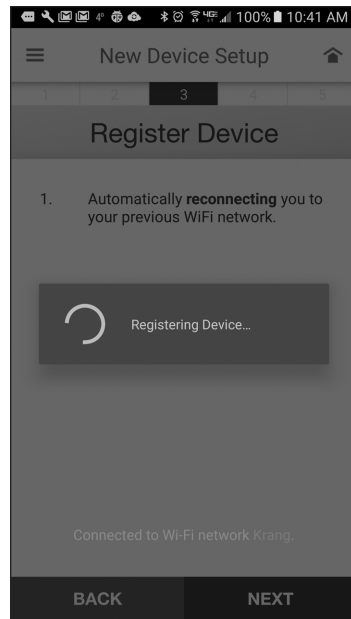
Locate the home's wireless network (the one that the Hydrolink Plus® RO module will be using to access the internet) in the list of networks detected. Select that network. Enter the network's security password and click "NEXT".



3. REGISTER DEVICE



iOS



Android

iOS: Go to your "Settings" and display the wireless (Wi-Fi) networks in range. Locate and reconnect to the home's Wi-Fi network. Click "NEXT" and wait while the system automatically:

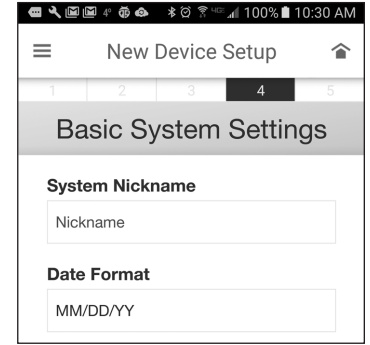
- Confirms that the Hydrolink Plus® RO Module is connected to the cloud
- Registers the new RO system.

Android: Wait while the system automatically:

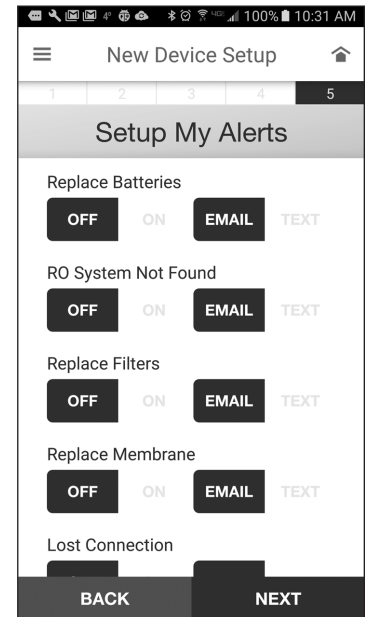
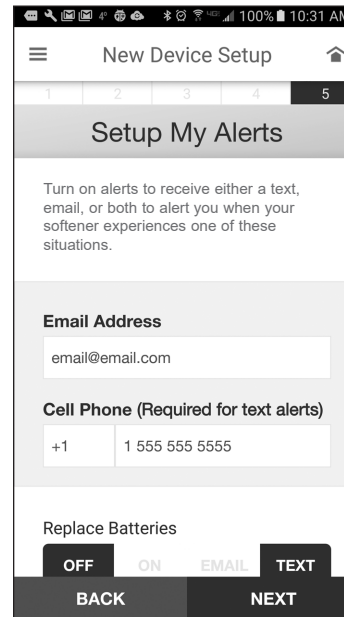
- Reconnects to your previous Wi-Fi network
- Confirms that the Hydrolink Plus® RO Module is connected to the cloud
- Registers the new RO system.

4. BASIC SYSTEM SETTINGS

Enter a nickname to identify the RO system, select the desired date format if different from the default, and any other settings displayed in this step. When finished entering basic system settings, click "NEXT".



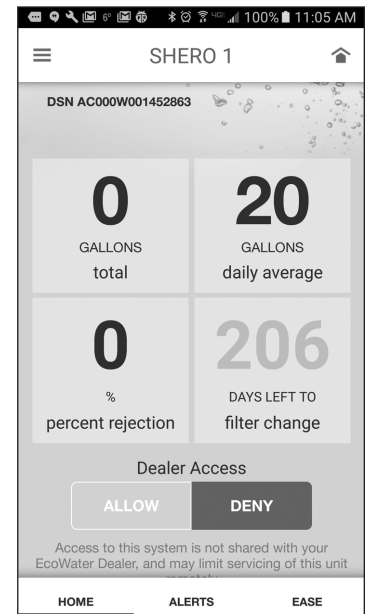
5. SETUP MY ALERTS



Enter the e-mail address and/or cell phone number (for text messages) where alerts will be sent. Scroll down and select "ON" or "OFF" for each type of alert, as well as whether to send that alert to "EMAIL" or "TEXT". When finished setting up alerts, click "NEXT".

6. DASHBOARD

Following successful completion of the connection procedure, the new RO system's dashboard will be displayed, with the nickname at the top, and various data items displayed.



HYDROLINK PLUS® RO MODULE - WI-FI DATA / ALERTS (HERO-385Plus Only)

Once the Hydrolink Plus® RO module has been connected to the cloud and registered on the dealer's web account, a dashboard will be available to display data items from the RO system:

DATA ITEMS (updated daily between 2:00 & 2:59 AM)	
TDS Removal Percentage	Total dissolved solids reduction from inlet to outlet, as a percentage.
Filter Life Remaining (days)	Number of days before the filters should be changed. It will be negative if filter change is overdue.
Dispensed Gallons	Water dispensed through faucet since last filter change, not including water currently stored in tank.
Average Daily Gallons	Daily average water use, in tenths of a gallon.

Additional data items, such as number of days in operation and supply voltage, are shown in the EASE report. Click the EASE tab on the app to view.

To conserve battery life, the Hydrolink Plus® RO module sends updates once a day, between 2:00 AM and 2:59 AM. If a connection can't be made (due to the internet being down, for example), it will try again an hour later.

Click the ALERTS tab on the app to view any alerts.

ALERTS (sent when triggered)	
Replace Batteries	Triggered when batteries are low (see page 13 for replacement instructions)
Replace RO Membrane	Triggered when TDS removal falls below 75% (see pages 17 & 18 for membrane replacement instructions)
Replace Filters	Triggered when filter life reaches zero days (see page 17 for filter replacement instructions)
RO System Not Found	The Hydrolink Plus® module cannot detect the RO manifold electronics (the cable connection is shown in Figure 7 on page 12)

POSITION HYDROLINK PLUS® RO MODULE UNDER RO COVER (HERO-385Plus Only)

1. Place the Hydrolink Plus® RO Module into the RO manifold assembly, where shown in Figures 11 & 12. Route the wire as shown in Figure 12 and carefully push it down into the recesses on the manifold assembly while holding the Hydrolink Plus® RO Module in place.

2. Install the cover onto the RO manifold assembly, making sure that the Hydrolink Plus® RO Module is lined up as shown in Figure 11.

FIGURE 11

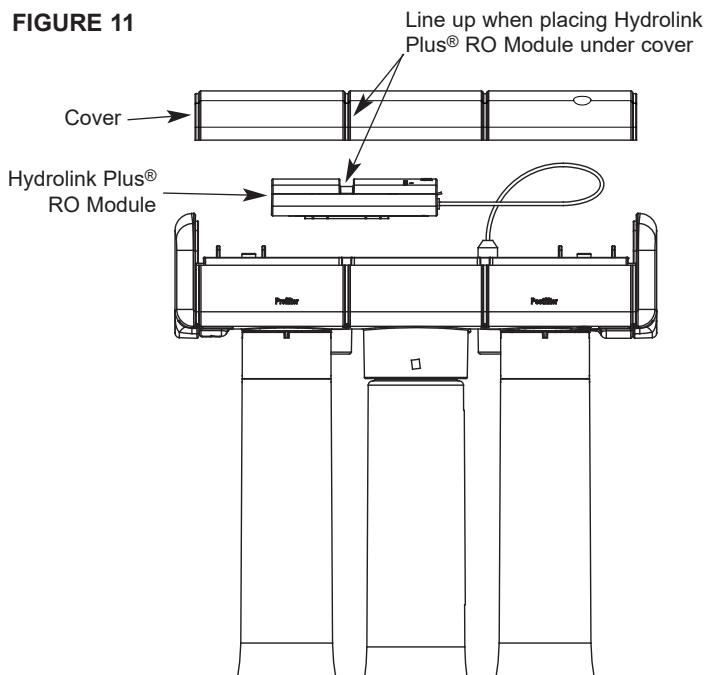
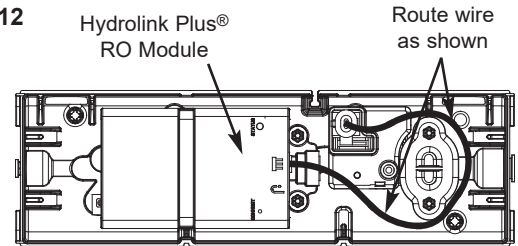
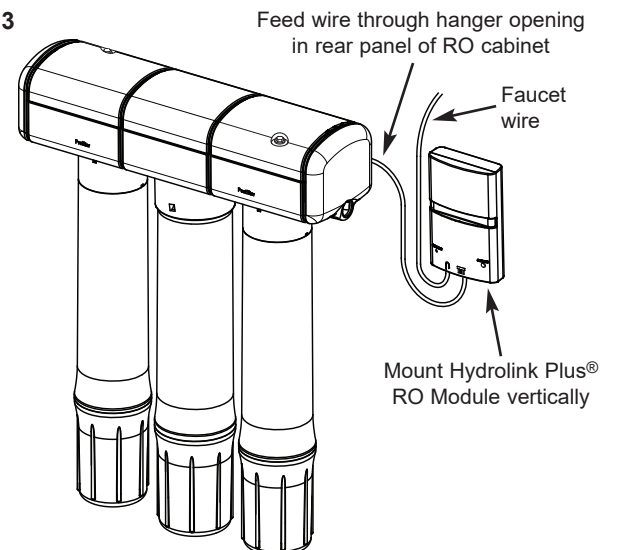


FIGURE 12



If the Wi-Fi signal (strength displayed in the EASE report) is weak, it may be necessary to mount the module to the wall outside the RO cover (See Figure 13) There is a recess on the back of the module for hanging it vertically from a fastener (not included).

FIGURE 13



HOW THE RO SYSTEM WORKS

PREFILTER

Water from the cold supply pipe enters the RO assembly sediment prefilter first. The replaceable sediment cartridge reduces chlorine, sand, silt, dirt, other sediments to clean the feed water before entering the RO cartridge and postfilter.

REVERSE OSMOSIS (RO) CARTRIDGE

The cartridge, inside the RO housing, includes a tightly wound, special membrane. Water is forced through the cartridge and the membrane reduces the dissolved solids and organic matter. High quality product water exits the RO housing and goes to the storage tank, or to the post-filter and RO faucet. Reject water, with the dissolved solids and organic matter, is routed through the flow control and to the drain.

STORAGE TANK

The storage tank holds product water. A diaphragm inside the tank keeps water pressurized when the tank is full, to provide fast flow from the RO faucet. The tank is charged with 5-7 psi air.

POSTFILTER

After leaving the storage tank, but before going to the RO faucet, product water goes through the postfilter. The postfilter is an activated carbon type filter. Any remaining tastes, odors and sediments are reduced from the product water. Clean, high quality drinking water is available for use.

FAUCET

The sink or countertop faucet vends the drinking water when opened. It is opened and closed by turning the knob. To comply with plumbing codes, an air-gap is built into the faucet drain water connection.

ELECTRONICS (ERO-385E or HERO-385Plus)

The RO system will monitor the total product flow of the unit and also length of time the filters have been installed. The faucet base has an indicator light that flashes to inform you of the status of the RO membrane and filters.

Green - RO membrane and filters are good.

Amber - Warning, filters need replacing. Filters need replacing, when water has been drawn, after 6 months time (or 650 gallons [2,460 L] have been used).

Red - RO membrane needs to be replaced.

When the batteries are first installed at initial start up, the

LED indicator light will flash in a red, amber, green sequence. All timers and counters are reset to zero. In order to reset the time and gallon count feature, push the button on the RO electronics enclosure and hold until the LED flashes, then release.

Model ERO-385E only: the battery needs to be replaced at the time of filter replacement. Use only lithium batteries (CR 2032). Improper placement of battery could damage electronics. Use care when inserting the battery to align it correctly on the PWA with proper polarity.

FIGURE 14

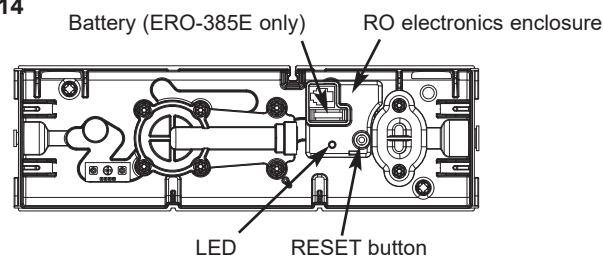
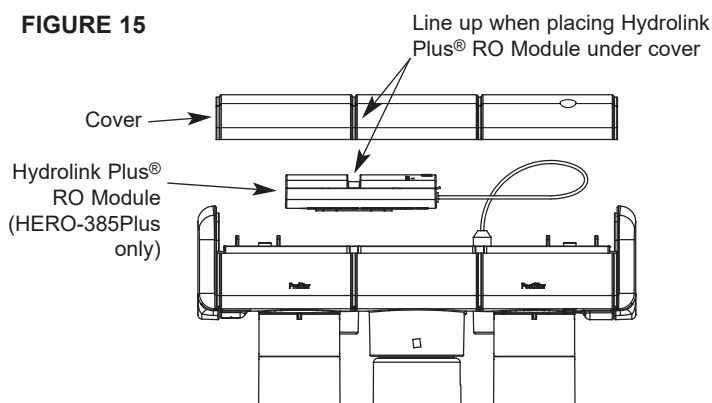


FIGURE 15



SHUTOFF ASSEMBLY

To conserve water, the drinking water system has an automatic shutoff system. When the storage tank has filled to capacity, and the drinking water faucet is closed, pressure closes the shutoff to stop flow into the RO. After drinking water is used, and pressure in the system drops, the shutoff opens to allow water flow again.

CHECK VALVE

A check valve is located in the RO manifold, above the center cartridge. The check valve prevents a backward flow of product water from the storage tank. A backward flow could rupture the RO membrane.

FLOW CONTROL

Water flow through the RO membrane is regulated by the flow control. It maintains the desired flow rate to obtain the highest quality drinking water. The flow control is located in the 1/4" red drain tube.

CARE OF YOUR REVERSE OSMOSIS SYSTEM

To keep your reverse osmosis system operating and producing high quality water, you must make sure supply water is always within the limits shown in the specifications. Good supply water helps to assure longer life from the RO membrane cartridge, prefilter and postfilter cartridges. However, each of these will wear out in time and need replacement.

This reverse osmosis system contains a replaceable treatment component critical for effective reduction of total dissolved solids. The monitor faucet feature provides continuous analysis of the systems performance. For systems not equipped with the monitor faucet function, it is highly recommended that you have your water tested at least every 6 months to verify your system is performing properly. Total dissolved solids (TDS) test kits are available by calling IAS Labs at 1-602-273-7248, or check the water testing section of your local phone directory.

If the RO assembly is wall mounted, you may be able to replace parts with the assembly left on the wall. If not, simply lift the RO assembly from the mounting washers and lay on the cabinet floor when replacing the prefilter and post filter cartridges and RO membrane.

PREFILTER AND POST FILTER CARTRIDGES

You must replace the prefilter cartridge often to protect the RO membrane from being destroyed by chlorine, and/or from plugging with sediments in your water supply. If the water supply contains both chlorine and sediments, replace the prefilter cartridge at least every 6 months of product water use. Replace more often than 6 months if it begins to plug with sediments.

If the water has sediments only, with no chlorine, you may notice a slower making of product water as the prefilter collects the sediments. When this occurs, replace the prefilter cartridge. Also replace the post filter cartridge.

To replace the filter cartridges, see Figure 16:

1. Remove (turn to the left) the prefilter cartridge from the filter head.
2. Remove the postfilter cartridge (turn to the left) the postfilter cartridge from the filter head.
3. Discard both cartridges in a proper manner.
4. Insert new cartridges, starting with the post filter, turning to the right to reattach the cartridges.
5. Model ERO-385E only: replace the battery with new (CR 2032 or equivalent).
6. On the ERO-385E or HERO-385Plus, press and hold the button on the RO electronics enclosure until the green light begins flashing. Release the button during the 3 seconds that the light flashes.
7. It is recommended to discard the first full tank after the filters have been changed to minimize carbon fines.

RO MEMBRANE CARTRIDGE

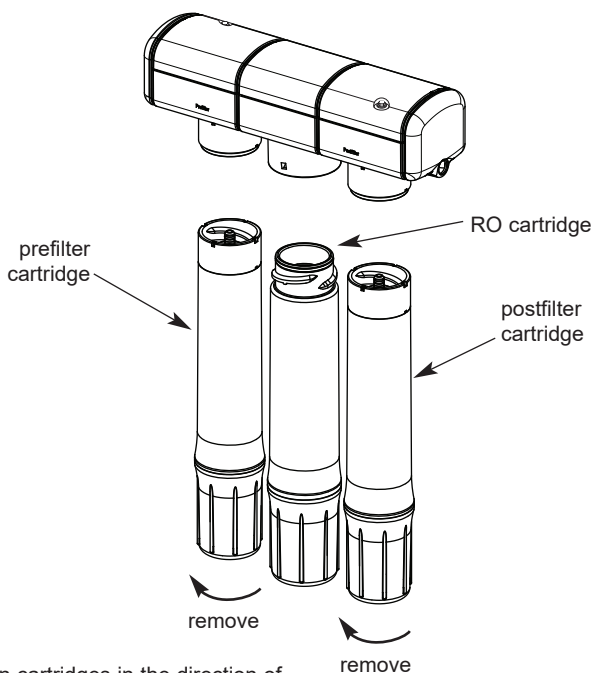
This reverse osmosis system contains a replaceable component critical to the efficiency of the system. Replacement of the reverse osmosis component should be one with identical specifications, as defined by the manufacturer, to assure the same efficiency and contaminant reduction performance.

The life of the RO membrane cartridge depends mostly on the pH and hardness of the supply water to the RO system (see specifications). Cartridge life is shorter with higher pH. For example, if supply water pH is from 6.8 to 7.7, the cartridge may last for well over one year. However, cartridge life may be as short as 6 months if the pH is as high as 8.5 to 10. Higher pH weakens the cartridge membrane and causes pin-hole leaks.

It's time to replace the RO cartridge when the red LED

continued on next page

FIGURE 16



Turn cartridges in the direction of the arrow to remove. Turn them in the opposite direction to install.

CARE OF YOUR REVERSE OSMOSIS SYSTEM

continued from previous page

flashes or the production rate and/or quality of product water drops. Product water may begin to taste different or bad, indicating solids and organics are passing through the RO membrane. When replacing the RO cartridge, replace the prefilter and postfilter cartridges as well.

To replace the RO cartridge (see Figure 16):

1. Remove (turn to the left) the pre filter cartridge from the filter head to relieve pressure on the Reverse Osmosis cartridge.

2. Remove the RO cartridge.

3. Remove the post filter cartridge.

4. Discard the cartridges in a proper manner.

5. Install new cartridges in reverse order (post filter, Reverse Osmosis and then prefilter). Turn cartridges to the right to re-attach to the filter heads.

6. Model ERO-385E only: replace the battery with new (CR 2032 or equivalent).

7. On the ERO-385E or HERO-385Plus, press and hold the button on the RO electronics enclosure until the green light begins flashing. Release the button during the 3 seconds that the light flashes.

8. Purge the RO membrane cartridge following instructions on Page 11.

FLOW CONTROL

The flow control is vital for proper operation of the RO membrane cartridge. The control keeps water flow through the membrane at the needed rate to obtain the best quality product water.

Periodically check the flow control to be sure the small hole through it is clean and unrestricted.

AUTOMATIC SHUTOFF / PADDLEWHEEL SERVICE

If either the shutoff assembly or paddlewheel requires service, be sure to reassemble parts exactly as shown below.

FIGURE 18

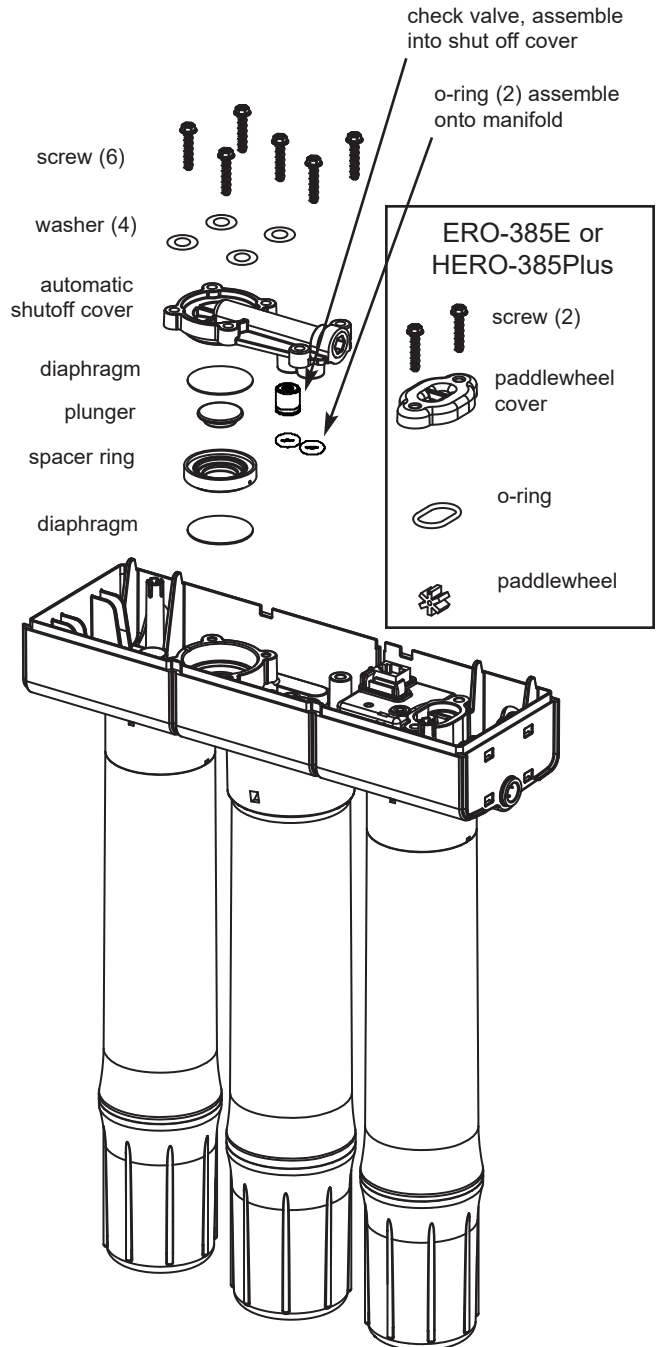
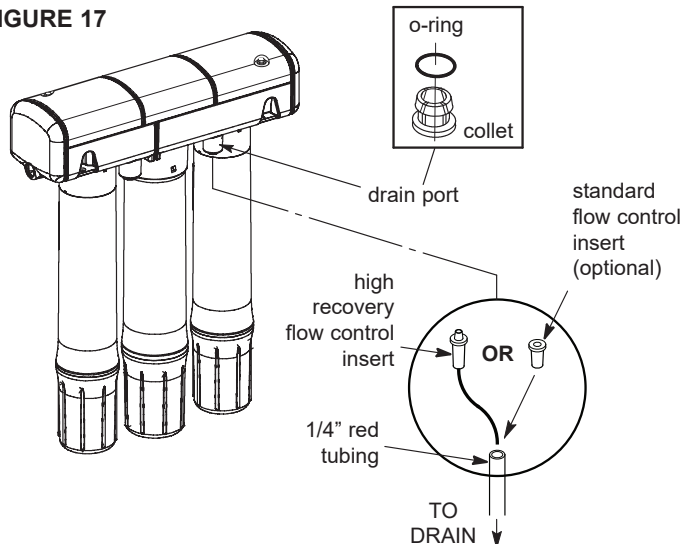


FIGURE 17



CARE OF YOUR REVERSE OSMOSIS SYSTEM

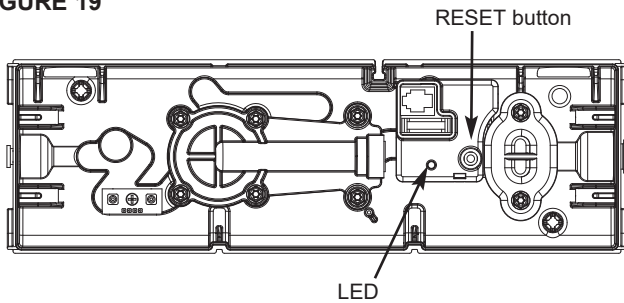
FILTER CHANGE ALERT LED (ERO-385E or HERO-385Plus)

The ERO-385E and HERO-385Plus provide the option of alerting you to the need for a filter change at either 6 or 12 month intervals. The timer is factory set to 6 months. The recommended interval is 6 months, but certain water conditions may allow a 12 month setting. Consult a water professional to determine the proper interval.

NOTE: Please read the following 3 steps and study the order of events in the table at right before starting.

1. Remove the top cover and locate the RESET button on the PWA board.

FIGURE 19



2. To change from 6 to 12 months, press and continue to hold down the RESET button. **Watch the LED during this process.** The LED will go on steady, then flicker, then go off for 6 seconds (See chart at right). When the LED begins to blink (after button has been held down for about 12 seconds), immediately release the button.

3. Once the button is released, the LED will show several double blinks to indicate that the timer has been set to 12 months.

To change back to 6 months:

To change the unit back to 6 months, repeat the sequence, holding down the RESET button for 12-15 seconds, until the light begins to blink. Once the button is released, the light will show several single blinks to indicate that the timer has been set to 6 months.

Order	RESET Button	LED
1	-	● OFF
2	Press & Hold	○ ON (Steady)
3	Continue Holding	⊃○⊂ Flicker
4	Continue Holding	● OFF (for 6 sec.)
5	Release Now	⊃○⊂ Single Blink or Double Blink
6	-	⊃○⊂ Double Blink (set for 12 mo.) or Single Blink (set for 6 mo.)
7	-	● OFF

CARE OF YOUR REVERSE OSMOSIS SYSTEM

REVERSE OSMOSIS SYSTEM CARE GUIDE MODEL NOs. ERO-385, ERO-385E & HERO-385Plus

1. AT LEAST every 6 months, replace the prefilter and postfilter cartridges or when faucet LED flashes yellow or Wi-Fi alert indicates "Replace filters".
2. Replace the RO membrane cartridge when the percent rejection of total dissolved solids (TDS) is less than shown in the specifications (see **B**, below) or when faucet LED flashes red or Wi-Fi alert indicates "Replace membrane".
3. Replace the batteries once per year or when Wi-Fi alert indicates "Replace batteries".

If any of the following occur before the 6 months, replace as directed.

A. Slow Making of Product Water: Replace the prefilter cartridge. If the production rate does not improve, replace the post filter cartridge and RO membrane cartridge.

C. Chlorine Taste and/or Odor: Replace the prefilter, post filter and RO membrane cartridges.

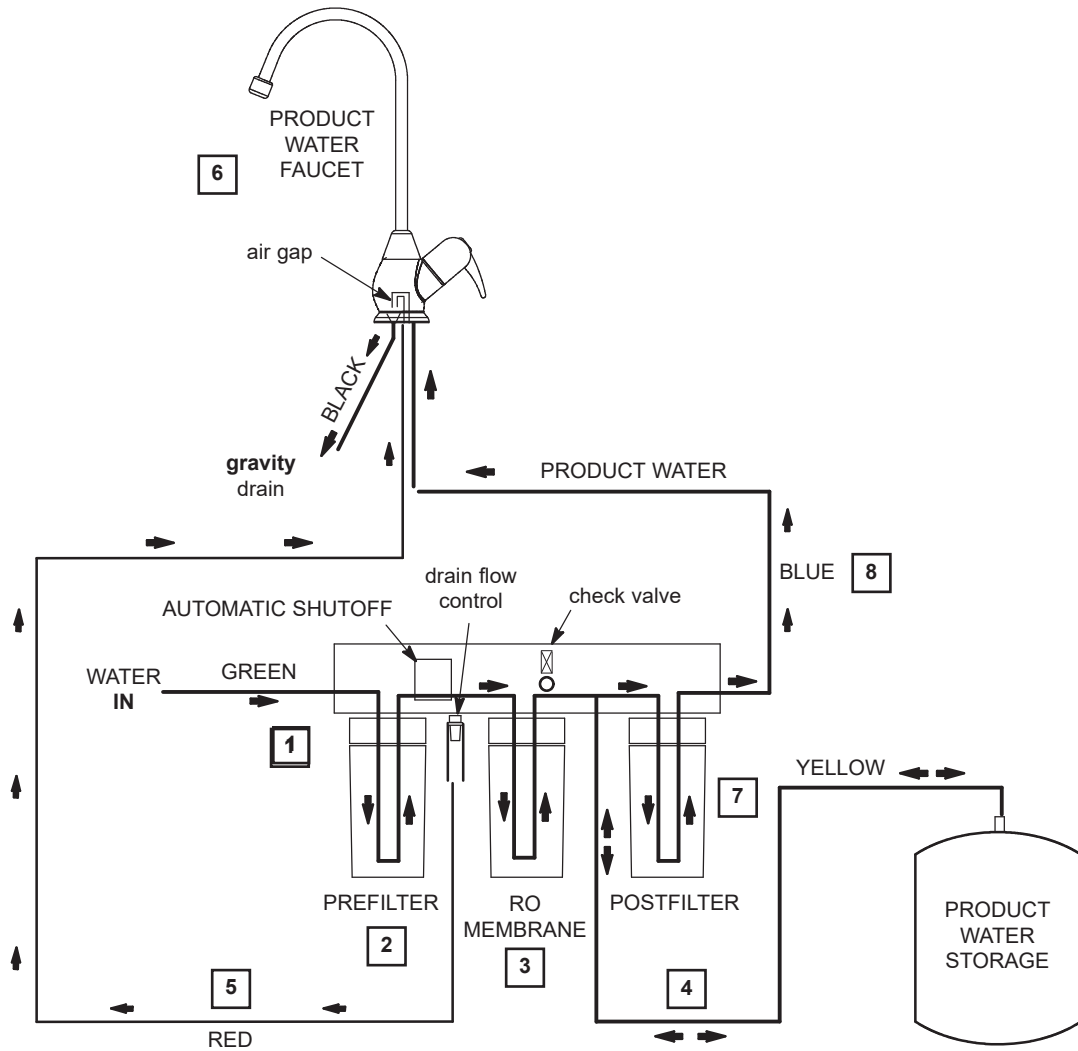
B. High Total Dissolved Solids (TDS) in Product Water: If water quality is in question, contact your local dealer for testing. It is important to test both the treated and untreated water to determine system performance. If the TDS is not within the system's performance guidelines, replace the pre-filter, post filter and RO membrane cartridges.

OTHER TROUBLESHOOTING

PROBLEM	CAUSE	CORRECTION
Chlorine taste and/or odor in the RO product water.	The amount of chlorine in your water supply exceeds maximum limits, and has destroyed the RO membrane.	If the water supply contains more than 2.0 ppm of chlorine, additional filtering of the water supply to the RO is needed. Correct this condition before doing maintenance on the RO system. Replace the prefilter, post filter and RO membrane cartridges.
	The prefilter is no longer removing chlorine from the water supply.	
Other taste and/or odor.	Post filter expended.	Replace the post filter cartridge. If taste and odor persists, replace the prefilter cartridge and RO membrane cartridge. Use sanitizing procedures. Replace the post filter cartridge.
	RO membrane cartridge expended.	
	Contamination in product water storage.	
System makes product water too slowly.	Water supply to the RO system not within specifications.	Increase water pressure, precondition the water, etc., as needed to conform before doing maintenance on the RO system. Replace the prefilter cartridge. If rate does not increase, replace the postfilter cartridge and RO membrane cartridge. Check and clean Flow Control Insert.
	Prefilter or RO membrane cartridges plugged with sediments or fouled.	
	Flow Control Insert plugged.	
System makes lower amount of product water than usual.	Storage tank air-charge less than 5 - 7 psi.	Open RO faucet and drain tank until flow slows to a drip. Keep faucet open and check tank pressure. If low, pressurize to 6 psi. Close faucet to refill the tank.
High total dissolved solids (TDS) in product water - flashing red LED.	Water supply to the RO system not within specifications.	Increase water pressure, precondition the water, etc., as needed to conform before doing maintenance on the RO system. Replace the prefilter, postfilter and RO membrane cartridges, flow control, and screen.
	RO membrane cartridge expended.	
Water leaking from faucet airgap hole.	Drain side of faucet airgap (3/8" tubing) plugged, restricted, or incorrectly connected to drain point.	Inspect and eliminate restriction or plug. Refer to installation instructions for proper drain connection.
Continual water flow to drain.	Check valve or automatic shutoff assembly plugged, restricted or parts worn.	Clean, repair or replace as needed.
Faucet LED indicator light does not function after battery change.	Battery dead.	Replace with new battery.
	Battery installed incorrectly.	Install battery correctly.
Continual high water flow to drain and no product water.	Missing flow restrictor in red drain tube or its corresponding port.	Replace flow restrictor.

REVERSE OSMOSIS SCHEMATIC

FIGURE 20



Water Flow Description

1. Water enters prefilter. Sand, silt and other sediments are reduced. Chlorine is also reduced.
2. Water leaves prefilter and proceeds to the Reverse Osmosis Cartridge.
3. Water enters the Reverse Osmosis membrane. Dissolved solids are reduced.
4. Processed water leaves the Reverse Osmosis Membrane and flows to the storage tank.
5. Waste water with dissolved solids leave the Reverse Osmosis membrane and flows to the drain.
6. Faucet is activated.
7. Processed water leaves the storage tank and flows to the post filter filtered to ensure fresh taste.
8. Water flows to the Reverse Osmosis faucet.

INSTALLATION OF OPTIONAL FITTINGS (not included)

SADDLE VALVE, not available from EcoWater

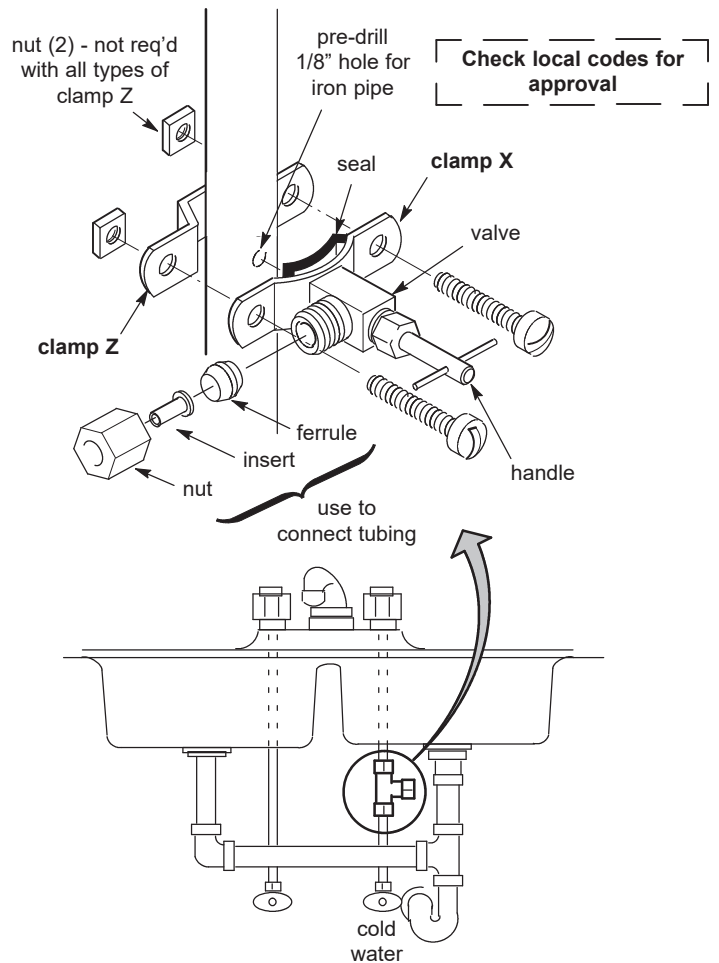
NOTE: This type of valve pierces a hole in copper tubing or plastic pipe. If installing on iron pipe, you have to drill a 1/8" pilot hole for the piercing pin. Be sure to turn off water to the pipe and to drain water from it before drilling. READ THE FOLLOWING DANGER NOTE.

DANGER (IF DRILLING METAL PIPE): To protect yourself from serious injury or fatal shock, use a battery powered hand drill only to make the hole. Do not use an electric drill.

1. Looking at Figure 21, turn the valve into clamp X and tighten (may be preassembled). Turn the valve handle all the way out.
2. Place the seal on the inside of clamp X as shown. Be sure the piercing pin does not stick out beyond the seal.
3. Place clamp X and Z around the pipe and secure in place with two screws. Tighten both screws evenly, but do not overtighten. Clamp Z will either have threaded screw holes, or two nuts are included.
4. Carefully turn the handle inward to pierce a hole in the copper or plastic pipe.

NOTE: Codes in the state of Massachusetts require installation by a licensed plumber, and do not permit the use of a saddle valve. For installation, use plumbing code 248-CMR of the Commonwealth of Massachusetts.

**FIGURE 21 - WATER SUPPLY CONNECTION
(using saddle valve)**



REMOTE LOCATION FOR REVERSE OSMOSIS SYSTEM

Possible remote locations for the RO nearby the kitchen or bathroom sink include;

- (1) a basement area underneath the sink, and
- (2) an adjacent room or closet.

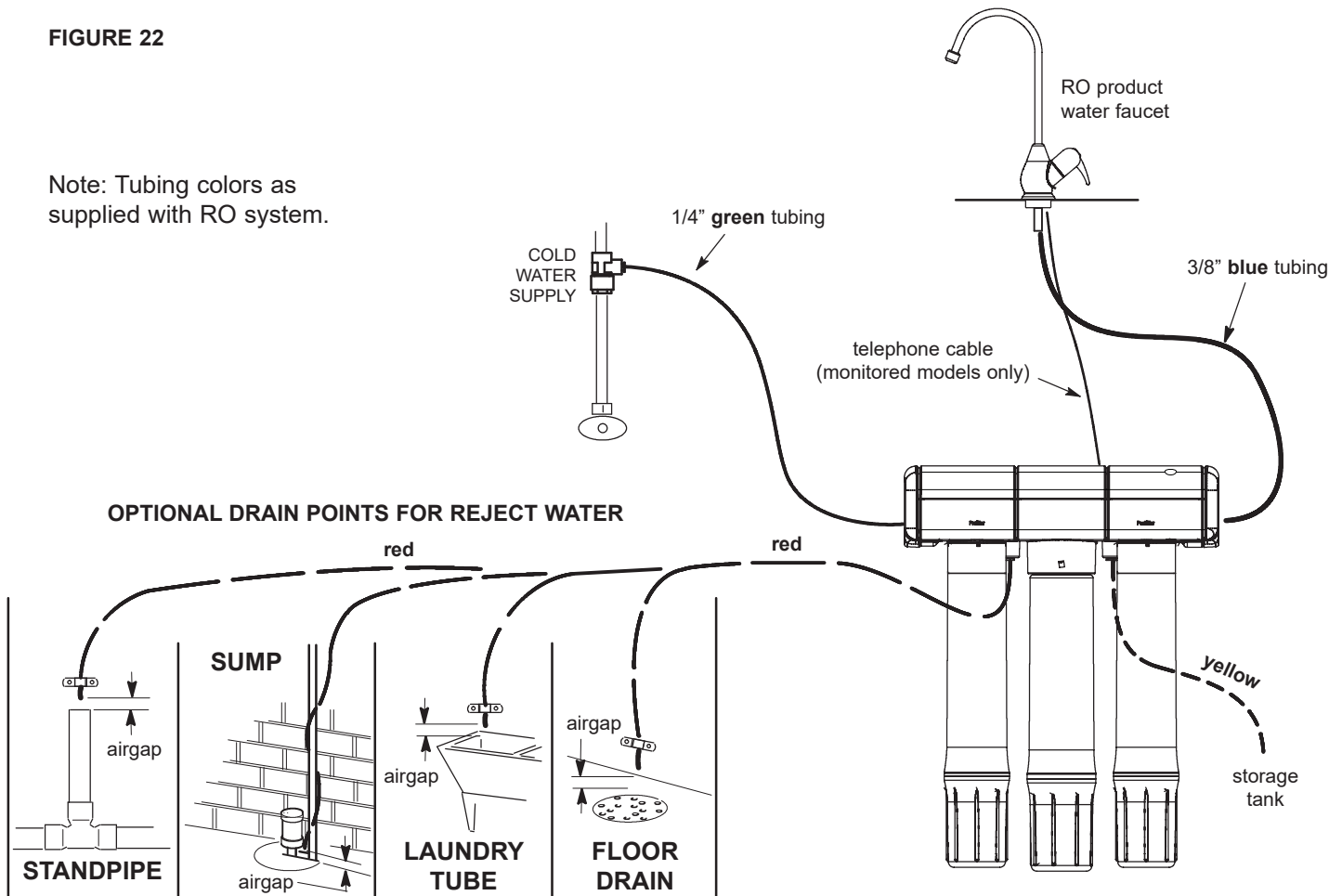
Longer lengths of tubing (see parts list) and telephone cable extension (purchase locally*) may be needed.

You can run the drain tubing directly to one of several suitable open drain points, as shown below, bypassing the faucet airgap and p-trap drain. This type of drain is the preferred over the p-trap drain adapter. Check your local codes. Always be sure to provide an air gap between the end of the hose and the drain point of 2 pipe diameters or 1 inch, whichever is larger.

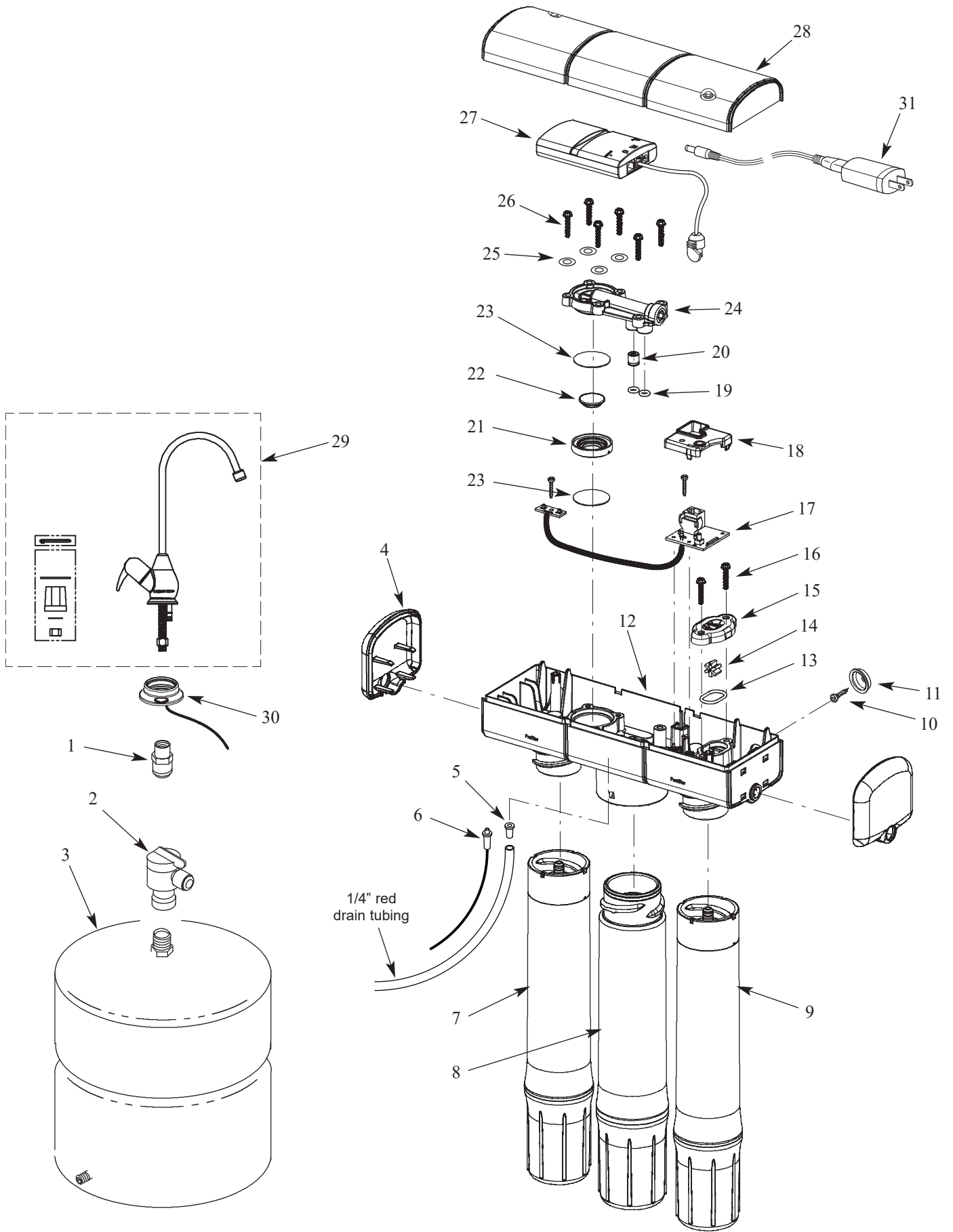
*Telephone cable extension must consist of a male connector on one end and a female connector on the other to keep proper polarity. Polarity may be reversed if a coupler is used and monitor will not work.

FIGURE 22

Note: Tubing colors as supplied with RO system.



REPAIR PARTS



REPAIR PARTS

Key No.	Part No.	Description
1	7207920	Connector, 7/16-24 x 3/8 Q.C. Tube
2	7251034	Connector, 1/4 NPT x 3/8 Q.C. Tube
3	7256018	Storage Tank
4	7273379	End Cap (2 req'd)
■	7095030	Cone Screen
5	7199486	Flow Control Insert, Standard
6	7395634	Flow Control Insert, High Recovery
7	7382916	Pre Filter Cartridge, CTO
	7273484	Pre Filter Cartridge, Sediment ❖
8	7397301	RO Membrane, High Recovery, 50 gpd, pack of 6
	7273264	RO Membrane, 75 gpd, pack of 6 ❖
9	7382762	Post Filter Cartridge, CTO/VOC
-	7333129	Mounting Hardware Kit (includes 2 ea. of Key Nos. 10 & 11)
10	↑	Screw (2 req'd)
11	↑	Hanger Washer (2 req'd)
12	7285376	Manifold Assembly, ERO-385E or HERO-385Plus (includes Key Nos. 13-26, assembled, & Key No. 28)
	7285384	Manifold Assembly, ERO-385 (includes Key Nos. 19-26, assembled, & Key No. 28)
-	7333200	Paddlewheel Kit, ERO-385E or HERO-385Plus (includes. Key Nos. 13-16)
13	↑	O-Ring, Paddlewheel
14	↑	Paddlewheel
15	↑	Cover, Paddlewheel
16	↑	Screw (2 req'd)
17	7280156	Rep'l Electronic Board (PWA), including screws, ERO-385E or HERO-385Plus
-	7358690	PWA Kit (includes Key No. 18 & decal)
18	↑	Cover, PWA, ERO-385E or HERO-385Plus
■	↑	Decal, PWA Cover, ERO-385E or HERO-385Plus

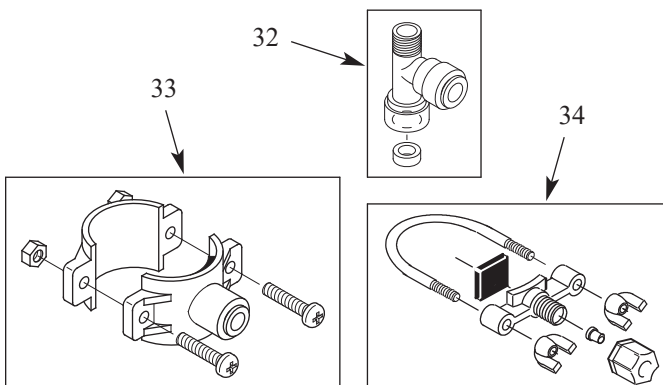
Key No.	Part No.	Description
-	7333137	Check Valve Kit (includes Key No. 20 & 2 of Key No. 19)
19	↑	O-Ring, Auto. Shutoff Cover (2 req'd)
20	↑	Check Assembly
-	7333179	Diaphragm Kit (includes Key Nos. 21, 22 & 2 of Key No. 23)
21	↑	Spacer Ring
22	↑	Plunger
23	↑	Diaphragm (2 req'd)
-	7333145	Automatic Shutoff Kit (includes Key No. 24, 4 of Key No. 25 & 6 of Key No. 26)
24	↑	Automatic Shutoff Cover Assembly
25	↑	Washer (4 req'd)
26	↑	Screw (6 req'd)
27	7384382	Hydrolink Plus® RO Module, with batteries & cable, HERO-385Plus only
28	7400099	Cover
FAUCET OPTIONS (packaged separately)		
29	7272959	Faucet, Chrome
	7277187	Faucet, Brushed Nickel
30	7261500	Electronic Monitor Kit, Chrome, ERO-385E or HERO-385Plus
	7278230	Electronic Monitor Kit, Brushed Nickel, ERO-385E or HERO-385Plus
OPTIONAL ACCESSORIES and TUBING		
31	7363417	Power Supply, 5V DC, with cable, ❖ for Hydrolink Plus® RO Module
32	119-8600084	Water Supply Fitting, 1/4" Q.C. ❖
33	119-8600123	Drain Adaptor ❖
34	7079791	Drain Clamp ❖
■	7301203	Sanitization Kit ❖
■	7161823	Tubing, 1/4" x 20' - white ❖ ●
■	7157280	Tubing, 3/8" x 20' - white ❖ ●

■ Not illustrated.

❖ Not included.

● Tubing lengths for remote location installations and for direct replacement for colored lengths of tubing.

To order parts call your local EcoWater dealer or go to www.ecowater.com to locate a dealer in your area.



PERFORMANCE DATA

PERFORMANCE CLAIMS FOR 385 SERIES						
Models	Replacement Elements	Operating Pressure Range	Operating Temperature Range	Recovery Rating	Efficiency Rating	Daily Production Rate (DPR)
ERO-385, ERO-385E, HERO-385Plus	7278913, 7382746, 7382762	40 -100 PSI (275 - 689 kPa)	40 - 100 °F (5 - 38 °C)	41.8%	26.2%	15.75 gal./day (59.6 liters/day)
NSF/ANSI Standard 42		Minimum Reduction	Overall % Reduction		Results	
Chlorine Taste & Odor		<0.5 mg/L	97.5%		Pass	
NSF/ANSI Standard 53 ²	Influent Challenge Concentration	Maximum Permissible Concentration		Overall % Reduction	Results	
Perfluorooctanoic acid (PFOA) & Perfluorooctane sulfonate (PFOS)	1.5 µg/L ±10%	0.07 µg/L		97.7%	Pass	
VOC Surrogate Test	300 µg/L	15 µg/L		99.4%	Pass	
MTBE	15 µg/L	5 µg/L		99.4%	Pass	
NSF/ANSI Standard 58	Influent Challenge Concentration	Maximum Permissible Concentration		Overall % Reduction	Results	
Arsenic (pentavalent)	0.30 mg/L ±10%	0.010 mg/L		98.2%	Pass	
Barium	10 mg/L ±10%	2.0 mg/L		97.8%	Pass	
Cadmium	0.03 mg/L ±10%	0.005 mg/L		98.1%	Pass	
Chromium (VI)	0.3 mg/L ±10%	0.1 mg/L		97.0%	Pass	
Chromium (III)	0.3 mg/L ±10%	0.1 mg/L		98.3%	Pass	
Copper	3.0 mg/L ±10%	1.3 mg/L		98.8%	Pass	
Cysts	≥50,000 particles/mL	99.95%		99.99%	Pass	
Lead	0.15 mg/L ±10%	0.010 mg/L		99.1%	Pass	
Fluoride	8.0 mg/L ±10%	1.5 mg/L		96.5%	Pass	
Nitrate plus Nitrite (as N)	30 mg/L ±10%	10.0 mg/L		75.9%	Pass	
Nitrate (as N)	27.0 mg/L ±10%	10.0 mg/L		75.7%	Pass	
Nitrite (as N)	3.0 mg/L ±10%	1.0 mg/L		75.8%	Pass	
Radium 226/228	25 pCi/L ±10%	5 pCi/L		80%	Pass	
Selenium	0.10 mg/L ±10%	0.05 mg/L		98.0%	Pass	
Turbidity	11 ±1 NTU	0.5 NTU		99.0%	Pass	
TDS	750 mg/L ±40	187 mg/L		90.6%	Pass	
Ammonium ¹	1.2 mg/L ±10%	–		90%	Pass	
Bicarbonate ¹	300 mg/L ±10%	–		96%	Pass	
Bromide ¹	1.5 mg/L ±10%	–		89%	Pass	
Chloride ¹	800 mg/L ±10%	–		92%	Pass	
Magnesium ¹	30 mg/L ±10%	–		97%	Pass	
Sodium ¹	350 mg/L ±10%	–		98%	Pass	
Sulfate ¹	800 mg/L ±10%	–		98%	Pass	
Tannin ¹	3.0 mg/L ±10%	–		97%	Pass	
Zinc ¹	15 mg/L ±10%	–		98%	Pass	
NSF/ANSI Standard 401 ²	Influent Challenge Concentration	Maximum Permissible Concentration		Overall % Reduction	Results	
Atenolol	200 ng/L ±20%	60 ng/L		99.5%	Pass	
Bisphenol A	2,000 ng/L ±20%	300 ng/L		98.2%	Pass	
Carbamazepine	1,400 ng/L ±20%	200 ng/L		97.1%	Pass	
DEET	1,400 ng/L ±20%	200 ng/L		99.2%	Pass	
Estrone	140 ng/L ±20%	20 ng/L		98.9%	Pass	
Ibuprofen	400 ng/L ±20%	60 ng/L		94.5%	Pass	
Linuron	140 ng/L ±20%	20 ng/L		96.6%	Pass	
Meprobamate	400 ng/L ±20%	60 ng/L		99.0%	Pass	
Metolachlor	1,400 ng/L ±20%	200 ng/L		97.5%	Pass	
Naproxen	140 ng/L ±20%	20 ng/L		98.7%	Pass	
Nonyl phenol	1,400 ng/L ±20%	200 ng/L		98.4%	Pass	
Phenytoin	200 ng/L ±20%	30 ng/L		99.5%	Pass	
TCEP	5,000 ng/L ±20%	700 ng/L		97.0%	Pass	
TCCP	5,000 ng/L ±20%	700 ng/L		96.5%	Pass	
Trimethoprim	140 ng/L ±20%	20 ng/L		98.9%	Pass	

¹ Tested by Spectrum Labs, a qualified independent laboratory, against accepted industry protocol.

² Certified by IAPMO R&T.

PERFORMANCE DATA

VOCs (by surrogate testing using chloroform) ²	Maximum Permissible Concentration	Effluent/ Unfiltered	Effluent/ Filtered	% Reduction
Alachlor	2.0 µg/L	50 µg/L	1.0 µg/L	>98%
Atrazine	3.0 µg/L	100 µg/L	3.0 µg/L	>97%
Benzene	5.0 µg/L	81 µg/L	1.0 µg/L	99%
Carbofuran	40 µg/L	190 µg/L	1.0 µg/L	>99%
Carbon Tetrachloride	5.0 µg/L	78 µg/L	1.8 µg/L	98%
Chlorobenzene	100 µg/L	77 µg/L	1.0 µg/L	99%
Chloropicrin	NA	15 µg/L	0.2 µg/L	99%
2,4-D	70 µg/L	110 µg/L	1.7 µg/L	98%
Dibromochloropropane (DBCP)	0.2 µg/L	52 µg/L	0.02 µg/L	>99%
o-Dichlorobenzene	600 µg/L	80 µg/L	1.0 µg/L	99%
p-Dichlorobenzene	75 µg/L	40 µg/L	1.0 µg/L	98%
1,2-Dichloroethane	5.0 µg/L	88 µg/L	4.8 µg/L	95%
1,1-Dichloroethylene	7.0 µg/L	83 µg/L	1.0 µg/L	99%
cis-1,2-Dichloroethylene	70 µg/L	170 µg/L	0.5 µg/L	>99%
trans-1,2-Dichloroethylene	100 µg/L	86 µg/L	1.0 µg/L	99%
1,2-Dichloropropane	5.0 µg/L	80 µg/L	1.0 µg/L	99%
cis-1,3-Dichloropropylene	NA	79 µg/L	1.0 µg/L	99%
Dinoseb	7.0 µg/L	170 µg/L	0.2 µg/L	99%
Endrin	2.0 µg/L	53 µg/L	0.59 µg/L	99%
Ethylbenzene	700 µg/L	88 µg/L	1.0 µg/L	99%
Ethyl Dibromide (EDB)	0.05 µg/L	44 µg/L	0.02 µg/L	>99%
Haloacetonitriles (HAN)				
Bromochloroacetonitrile	NA	22 µg/L	0.5 µg/L	98%
Dibromoacetonitrile	NA	24 µg/L	0.6 µg/L	98%
Dichloroacetonitrile	NA	9.6 µg/L	0.2 µg/L	98%
Trichloroacetonitrile	NA	15 µg/L	0.3 µg/L	98%
Haloketones (HK)				
1,1-dichloro-2-propanone	NA	7.2 µg/L	0.1 µg/L	99%
1,1,1-trichloro-2-propanone	NA	8.2 µg/L	0.3 µg/L	96%
Heptachlor	0.4 µg/L	25 µg/L	0.01 µg/L	>99%
Heptachlor Epoxide	0.2 µg/L	10.7 µg/L	0.2 µg/L	98%
Hexachlorobutadiene	NA	44 µg/L	1.0 µg/L	98%
Hexachlorocyclopentadiene	50 µg/L	60 µg/L	0.002 µg/L	>99%
Lindane	0.2 µg/L	55 µg/L	0.01 µg/L	>99%
Methoxychlor	40 µg/L	50 µg/L	0.1 µg/L	>99%
Pentachlorophenol	1.0 µg/L	96 µg/L	1.0 µg/L	99%
Simazine	4.0 µg/L	120 µg/L	4.0 µg/L	97%
Styrene	100 µg/L	150 µg/L	0.5 µg/L	>99%
1,1,2,2-Tetrachloroethane	NA	81 µg/L	1.0 µg/L	99%
Tetrachloroethylene	5.0 µg/L	81 µg/L	1.0 µg/L	99%
Toluene	1,000 µg/L	78 µg/L	1.0 µg/L	99%
2,4,5-TP (silvex)	50 µg/L	270 µg/L	1.6 µg/L	99%
Tribromoacetic acid	NA	42 µg/L	1.0 µg/L	98%
1,2,4-Trichlorobenzene	70 µg/L	160 µg/L	0.5 µg/L	>99%
1,1,1-Trichloroethane	200 µg/L	84 µg/L	4.6 µg/L	95%
1,1,2-Trichloroethane	5.0 µg/L	150 µg/L	0.5 µg/L	>99%
Trichloroethylene	5.0 µg/L	180 µg/L	1.0 µg/L	>99%
Chloroform (THM)				
Bromoform (THM)				
Bromodichloromethane (THM)				
Chlorodibromomethane (THM)	80 µg/L	300 µg/L	15 µg/L	95%
Xylenes (total)	10,000 µg/L	70 µg/L	1.0 µg/L	99%

Substance	Log Reduction	% Reduction
Cyst*	3.5	99.95%
Virus*	4	99.99%
Bacteria*	6	99.9999%

FILTER PERFORMANCE DATA FOR 385 SERIES	
Flow Rate	0.9 gallons per minute (3.4 liters per minute)
Capacity	310 gallons (1,173 liters)

*Tested and verified by IAPMO R&T.

PERFORMANCE DATA

This system has been tested according to NSF/ANSI standards for the reduction of substances listed above. The concentration of the indicated substances in water entering the system was reduced to a concentration less than or equal to the permissible limit for water leaving the system, as specified in NSF/ANSI Standards 42, 53, 58 and 401.

Testing was performed under standard laboratory conditions. Actual performance may vary.

Efficiency rating means the percentage of the influent water to the system that is available to the user as reverse osmosis treated water under operating conditions that approximate typical daily usage.

Recovery rating means the percentage of the influent water to the membrane portion of the system that is available to the user as reverse osmosis treated water when the system is operated without a storage tank or when the storage tank is bypassed.

Do not use with water that is microbiologically unsafe or of unknown quality, without adequate disinfection before or after the system. This system is certified for cyst reduction, and may be used on disinfected water that may contain filterable cysts.

This system has been tested for the treatment of water containing pentavalent arsenic [also known as As (V), As (+5), or arsenate] at concentrations of 0.30 mg/L or less. This system reduces pentavalent arsenic, but may not reduce other forms of arsenic. This system shall be used on water supplies containing a detectable free chlorine residual at the system inlet or on water supplies that have been demonstrated to contain only pentavalent arsenic. Treatment with chloramine (combined chlorine) is not sufficient to ensure complete conversion of trivalent arsenic to pentavalent arsenic. Please see the Arsenic Facts section below for further information.

The compounds certified under NSF/ANSI 401 have been deemed as “incidental contaminants/emerging compounds”. Incidental contaminants are those compounds that have been detected in drinking water supplies at trace levels. While occurring at only trace levels, these compounds can affect the public acceptance/perception of drinking water quality.

This system has been tested according to NSF/ANSI 58 for reduction of the substances listed above. The concentration of the indicated substances in water entering the system was reduced to a concentration less than or equal to the permissible limit for water leaving the system, as specified in NSF 53.

This system is acceptable for treatment of influent concentrations of no more than 27 mg/L nitrate and 3 mg/L nitrite in combination, measured as N, and is certified for nitrate/nitrite reduction only for water supplies with a pressure of 280 kPa (40 psig) or greater. This system is supplied with a nitrate/nitrite test kit. Product water should be monitored periodically according to the instructions provided with the test kit.

This system conforms to NSF Protocol P231 for microbiological water purifiers. This system is not intended to convert wastewater or raw sewage into drinking water.

PERFORMANCE DATA

ARSENIC FACTS

Background

Arsenic (abbreviated As) can occur naturally in well water. There are two forms of arsenic: pentavalent arsenic [also called As (V), As (+5), and arsenate] and trivalent arsenic [also called As (III), As (+3), and arsenite]. Although both forms are potentially harmful to human health, trivalent arsenic is considered more harmful than pentavalent arsenic. In well water, arsenic may be pentavalent, trivalent, or a combination of both. Additional information about arsenic in water can be found on the Internet at the U.S. Environmental Protection Agency (USEPA) website: www.epa.gov/safewater/arsenic.html.

Testing Your Water

Arsenic in water has no color, taste or odor. It must be measured by a lab test. Public water utilities must have their water tested for arsenic. You can get the results from your water utility. If you have your own well, you can have the water tested. The local health department or the state environmental health agency can provide a list of certified labs. The cost is typically \$15 to \$30.

Pentavalent vs. Trivalent Arsenic Removal

These systems are very effective at reducing pentavalent arsenic from drinking water. These models were tested in a lab and proven to reduce 300 parts per billion (ppb) pentavalent arsenic to below 10 ppb, the USEPA standard for safe drinking water.

RO systems are not as effective at reducing trivalent arsenic from water. These models will not convert trivalent arsenic to pentavalent arsenic. If you have free chlorine residual in contact with your water supply for at least one minute any trivalent arsenic will be converted to pentavalent arsenic and reduced by this RO. Other water treatment chemicals such as ozone, and potassium permanganate will also change trivalent arsenic to pentavalent arsenic. A combined chlorine residual (also called chloramine) may not convert all the trivalent arsenic. If you get your water from a public water utility, contact the utility to find out if free chlorine or combined chlorine is used in the water system.

Maintenance

It is strongly recommended that you follow the maintenance instructions and have your water tested periodically to make sure the system is performing properly. See replacement element information above for recommendations on maintaining your Reverse Osmosis water filtration system.

WARRANTY INFORMATION

LIMITED WARRANTY 1, 3, 5, 7 and 10 YEARS

EcoWater Systems Reverse Osmosis Drinking Water System Models ERO-385, ERO-385E & HERO-385Plus (not including filter cartridges)

Warrantor: EcoWater Systems LLC, P.O. Box 64420, St. Paul, MN 55164-0420

www.ecowater.com

Warrantor guarantees, to the original purchaser when the product is purchased from an authorized dealer, and when installed and maintained in accordance with the instructions, that:

- The R.O. holding tank will be free from defects in materials and workmanship and will perform in accordance with its written specifications for a period of ten (10) years from the date the product is delivered.
- The Model HERO-385Plus electronics, including the Hydrolink Plus® module, will be free from defects in materials and workmanship and will perform in accordance with their written specifications for a period of seven (7) years from the date the product is delivered.
- The Model ERO-385E electronics will be free from defects in materials and workmanship and will perform in accordance with their written specifications for a period of five (5) years from the date the product is delivered.
- The faucet will be free from defects in materials and workmanship and will perform in accordance with its written specifications for a period of three (3) years from the date the product is delivered.
- The reverse osmosis membrane will be free from defects in materials and workmanship and will perform in accordance with its written specifications for a period of one (1) year from the date the product is delivered.
- All other parts of the Reverse Osmosis Drinking Water System will be free from defects in materials and workmanship and will perform in accordance with their written specifications for a period of five (5) years from the date the product is delivered.

If, during such respective period, a part proves, after inspection, to be defective, Warrantor will, at its sole option, either replace or repair the part without charge except normal shipping, installation and service charges. If a repair or replacement part is unavailable, Warrantor may refund the original purchase price. Labor to maintain the equipment is not part of the warranty. The prefilter and postfilter cartridges, which are expendable, are not covered by the warranty.

General Provisions

The above warranties are effective provided the Reverse Osmosis Drinking Water System is operated at water pressures not exceeding 100 psi (7.0 kg/cm²), and at water temperatures not exceeding 100°F (38°C); provided further that the Reverse Osmosis Drinking Water System is not subject to abuse, misuse, alteration, neglect, freezing, accident or negligence; and provided further that the Reverse Osmosis Drinking Water System is not damaged as the result of any force of nature such as, but not limited to, flood, hurricane, tornado or earthquake.

The limited warranty does not cover damage due to: (a) transportation, (b) storage, (c) improper use, (d) failure to follow the product instructions or to perform any preventive maintenance, (e) modifications, (f) unauthorized repair, (g) normal wear and tear, or (h) external causes such as accidents, abuse, or other actions or events beyond Warrantor's reasonable control. Use of aftermarket, used, or non-manufacturer provided parts will void all warranties. Warranty does not cover failures due to improper product installation. Warrantor is excused if failure to perform its warranty obligations is the result of strikes, government regulation, materials shortages, or other circumstances beyond its control.

THERE ARE NO WARRANTIES ON THE REVERSE OSMOSIS DRINKING WATER SYSTEM BEYOND THOSE SPECIFICALLY DESCRIBED ABOVE. ALL IMPLIED WARRANTIES, INCLUDING ANY IMPLIED WARRANTY OF MERCHANTABILITY OR OF FITNESS FOR A PARTICULAR PURPOSE, ARE DISCLAIMED TO THE EXTENT THEY MIGHT EXTEND BEYOND THE ABOVE PERIODS. THE SOLE OBLIGATION OF WARRANTOR UNDER THESE WARRANTIES IS TO REPLACE OR REPAIR THE COMPONENT OR PART WHICH PROVES TO BE DEFECTIVE WITHIN THE SPECIFIED TIME PERIOD, AND WARRANTOR IS NOT LIABLE FOR CONSEQUENTIAL OR INCIDENTAL DAMAGES. NO DEALER, AGENT, REPRESENTATIVE, OR OTHER PERSON IS AUTHORIZED TO EXTEND OR EXPAND THE WARRANTIES EXPRESSLY DESCRIBED ABOVE.

Some states do not allow the exclusion or limitation of incidental or consequential damages, so the above limitation or exclusion may not apply to you. This warranty gives you specific legal rights, and you may have other rights which vary from state to state. This warranty applies to consumer-owned installations only.